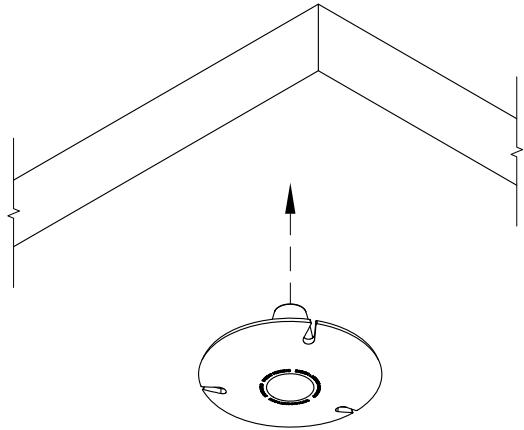
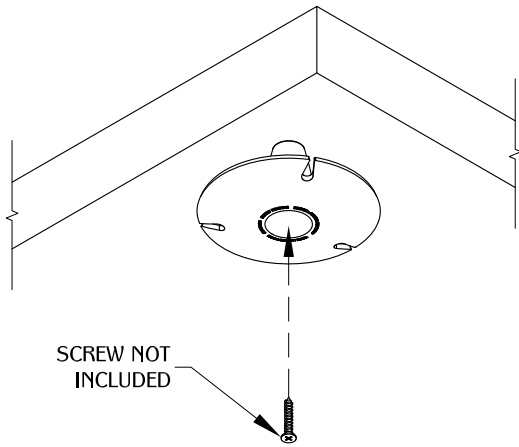


1



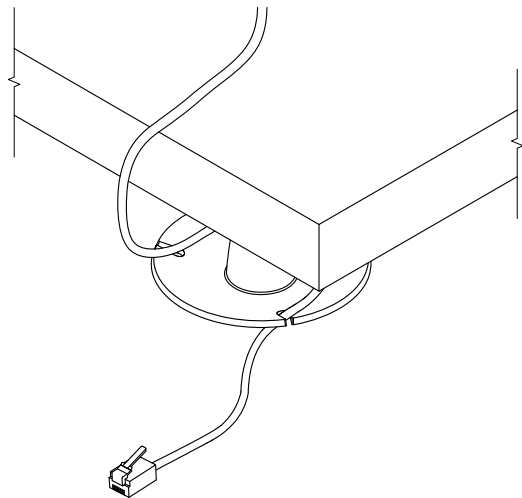
Determine the position and location on the work surface in which to apply the WM24.

2



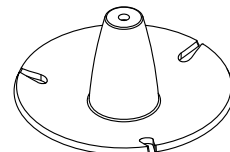
Drill a screw through the opening located on the bottom of the WM24, connecting the unit to the work surface.

3



Place wires into position by wrapping them around the center of the WM24 and then tucking the wires into one of the wire notches.

TABLE OF CONTENTS:



..... WM24