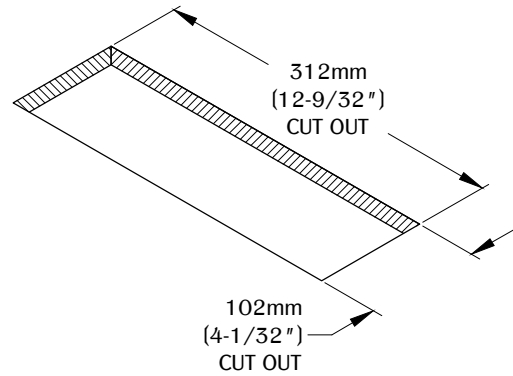
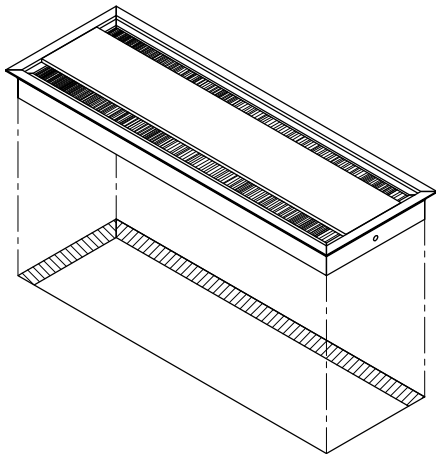


1



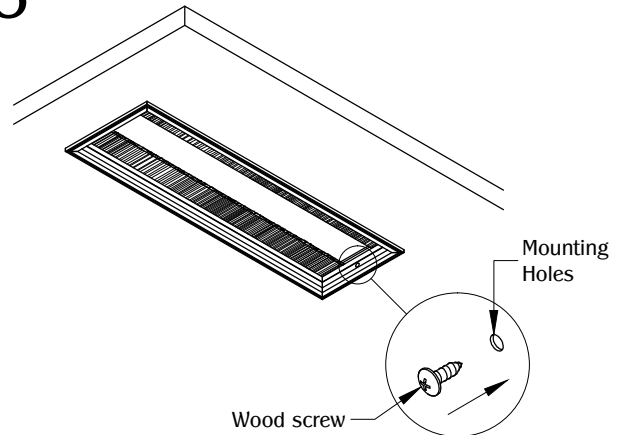
Determine the position and location of the unit on the work surface. Cut the hole at 312mm X 102mm (12-9/32" X 4-1/32").

2



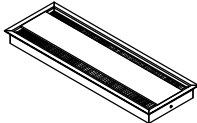


Install MAX7 into the cut out and be sure it is fully level on the surface.

3



Use (2) wood screws through the mounting holes to secure on to the table top.

TABLE OF CONTENTS:

	.....1 X MAX7
	.....2 X Machine Screws
	.....2 X Wood Screws