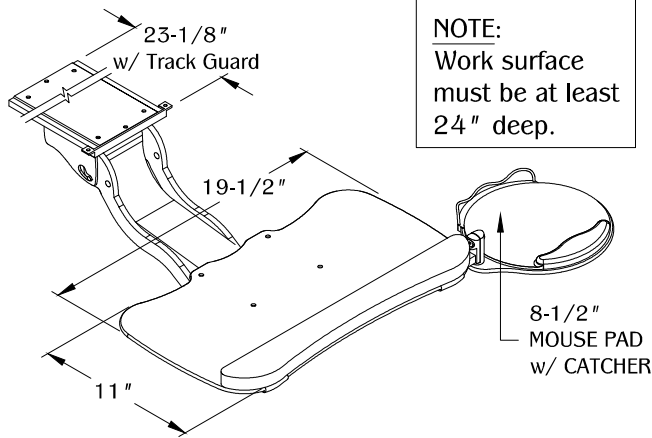


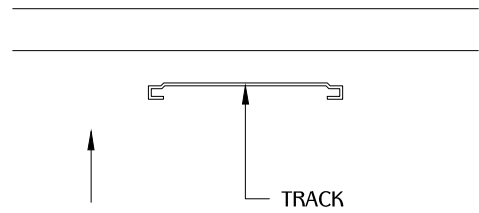
PART #

KP8/M2

310.318.2491 • 800.523.1269 • www.mockett.com

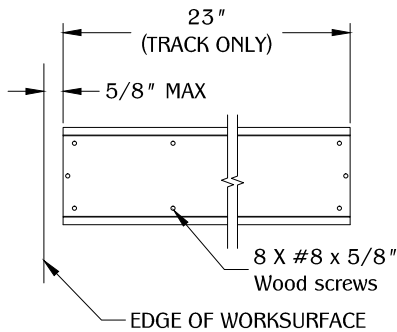


1



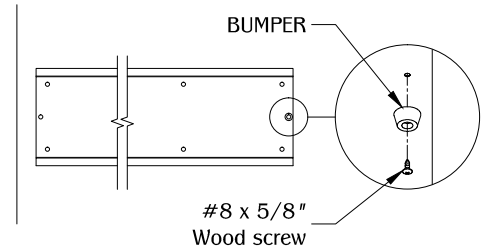
Place the track 5/8" MAX. from the edge of work surface.

2



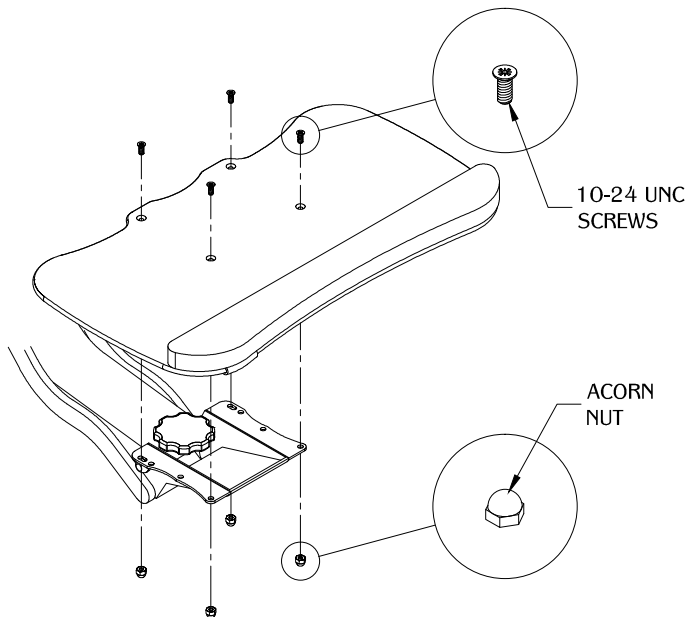
Mount the track on the underside of the work surface using (8) #8 wood screws.

3



Install the bumper at the back end of the track using a #8 wood screw.

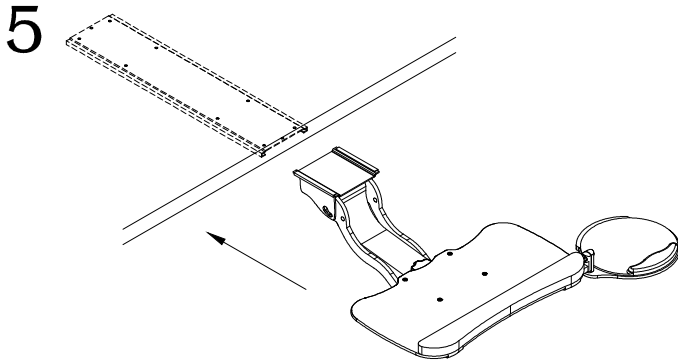
4



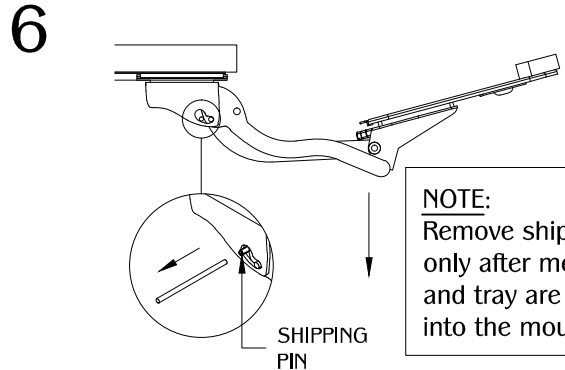
Secure the mechanism to the tray with (4) 10-24 countersunk screws and (4) acorn nuts.

TABLE OF CONTENTS:

	1 X KP8 TRAY & MOUSE PAD
	4 X 10-24 UNC COUNTERSUNK SCREWS
	4 X ANTI-SLIP PAD
	1 X MECHANISM
	1 X TRACK
	1 X TRACK GUARD
	20 X #8 x 5/8" WOOD SCREWS
	1 X BUMPER
	1 X CORD CLIP
	4 X ACORN NUT

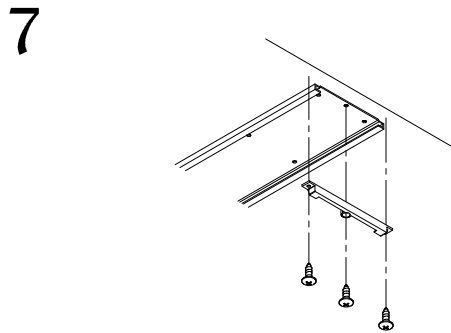


Slide the KP8 tray and mechanism into the mounted track.

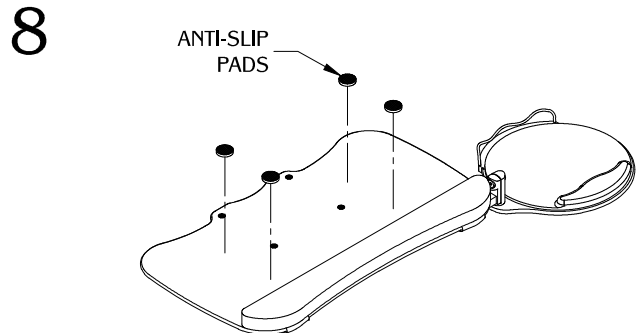


NOTE:
Remove shipping pin only after mechanism and tray are inserted into the mounted track.

Tip front of the KP8 tray up and begin to lower mechanism to relieve pressure on the shipping pin. Pull out the shipping pin.

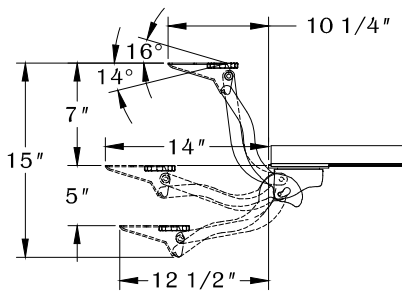


Slide the mechanism back to the bumper. Install the track guard at the front end of the track using (3) #8 wood screws.

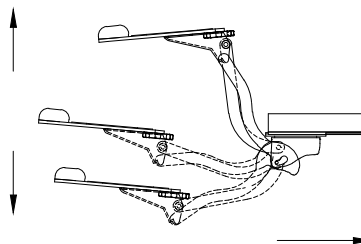


Place (4) anti-slip pads on to the KP8 tray.

OPERATION PROCEDURES

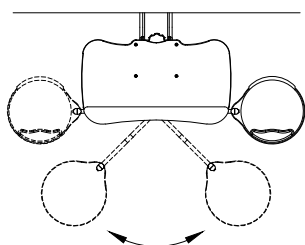


- TILT THE TRAY UP TO UNLOCK AND ADJUST TO DESIRED HEIGHT.
- TILT TRAY DOWN TO SET THE HEIGHT.

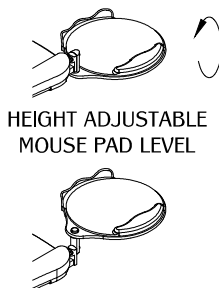


- ADJUST TO THE LOWEST HEIGHT.
- PUSH AND SLIDE UNDER DESK SURFACE TO HIDE AWAY.

TRAY SWIVELS FROM SIDE TO SIDE

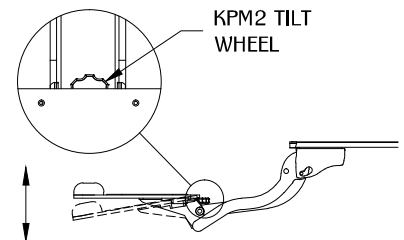


MOUSE PAD SWIVELS FROM LEFT TO RIGHT HANDED



HEIGHT ADJUSTABLE
MOUSE PAD LEVEL

- COUNTERCLOCKWISE (ADJUST TRAY UP)
- CLOCKWISE (ADJUST TRAY DOWN)



KPM2 TILT
WHEEL