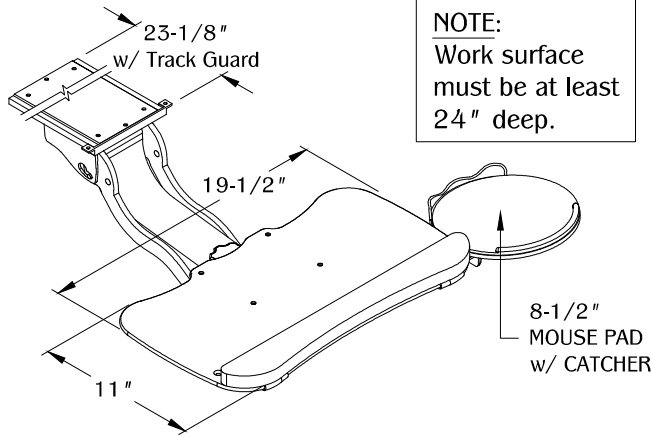


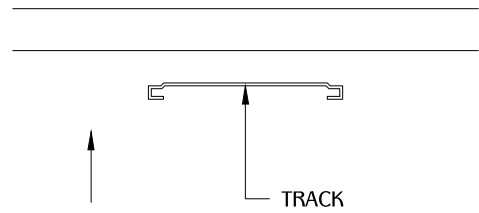
PART #

KP7/M2

310.318.2491 • 800.523.1269 • www.mockett.com

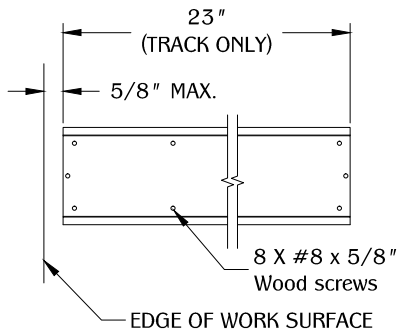


1



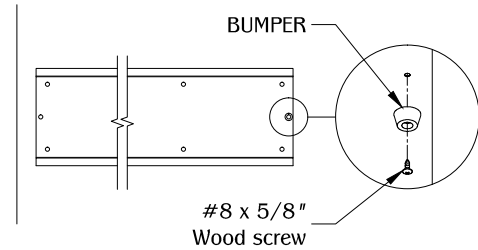
Place the track 5/8" MAX. from the edge of work surface.

2



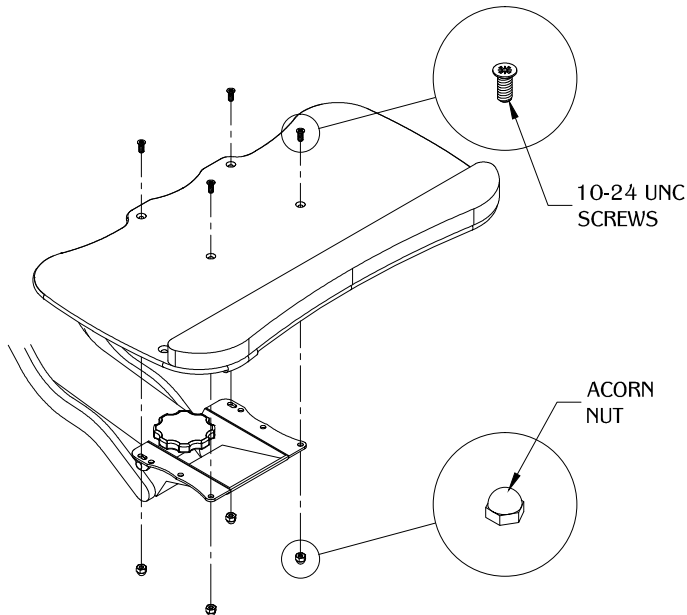
Mount the track on the underside of the work surface using (8) #8 wood screws.

3



Install the bumper at the back end of the track using a #8 wood screw.

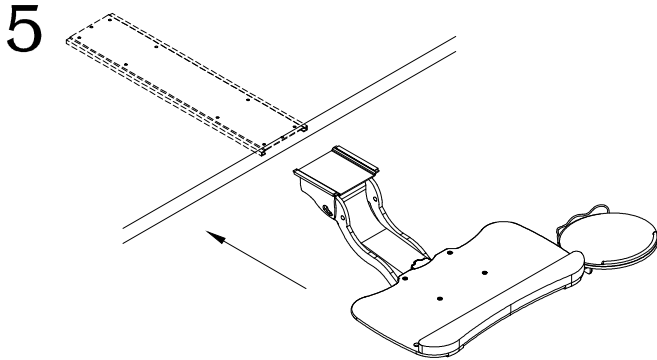
4



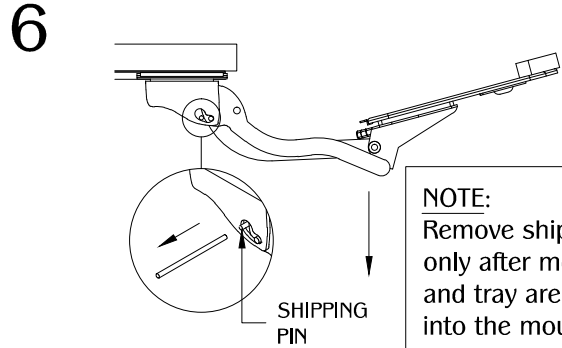
Secure the mechanism to the tray with (4) 10-24 countersunk screws and (4) acorn nuts.

TABLE OF CONTENTS:

| | | |
|--|-------|----------------------------------|
| | | 1 X KP7 TRAY & MOUSE PAD |
| | | 4 X 10-24 UNC COUNTERSUNK SCREWS |
| | | 4 X ANTI-SLIP PAD |
| | | 1 X MECHANISM |
| | | 1 X TRACK |
| | | 1 X TRACK GUARD |
| | | 20 X #8 x 5/8" WOOD SCREWS |
| | | 1 X BUMPER |
| | | 1 X CORD CLIP |
| | | 4 X ACORN NUT |

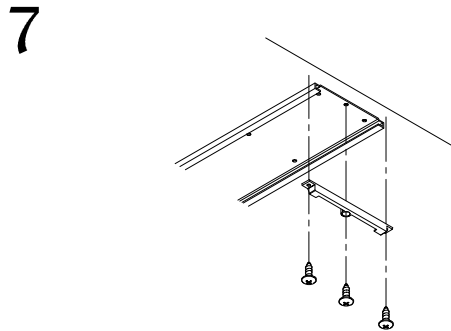


Slide the KP7 tray and mechanism into the mounted track.

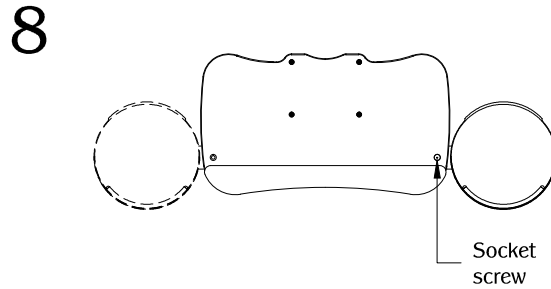


NOTE:
Remove shipping pin only after mechanism and tray are inserted into the mounted track.

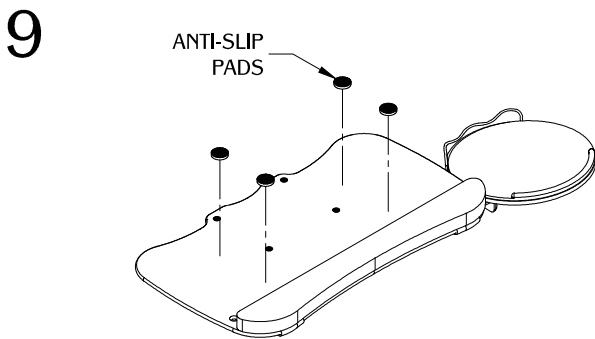
Tip front of the KP7 tray up and begin to lower mechanism to relieve pressure on the shipping pin. Pull out the shipping pin.



Slide the mechanism back to the bumper. Install the track guard at the front end of the track using (3) #8 wood screws.

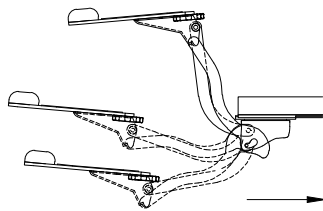


Remove the socket screw with a 4mm Allen wrench (NOT INCLUDED). Install the mouse pad at the pre-drilled countersunk hole at the bottom right or left tray for a left-handed or right-handed use.



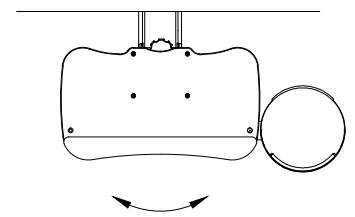
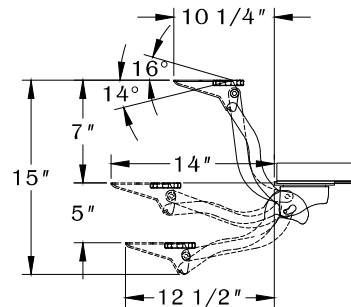
Place (4) anti-slip pads on to the KP7 tray.

- TILT THE TRAY UP TO UNLOCK AND ADJUST TO DESIRED HEIGHT.
- TILT TRAY DOWN TO SET THE HEIGHT.



- PUSH AND SLIDE UNDER DESK SURFACE TO HIDE AWAY.

OPERATION PROCEDURES



- COUNTERCLOCKWISE (ADJUST TRAY UP)

- CLOCKWISE (ADJUST TRAY DOWN)

