

Select One:

(A.) Foot Length & Top Support

Foot Length = 23"  
 Top Support = 18 1/2"  
 Max. Table top width = 46"

Foot Length = 29"  
 Top Support = 23 1/4"  
 Max. Table top width = 58"

(B.1) Rail Length

27" Max. top length 36"

33" Max. top length 42"

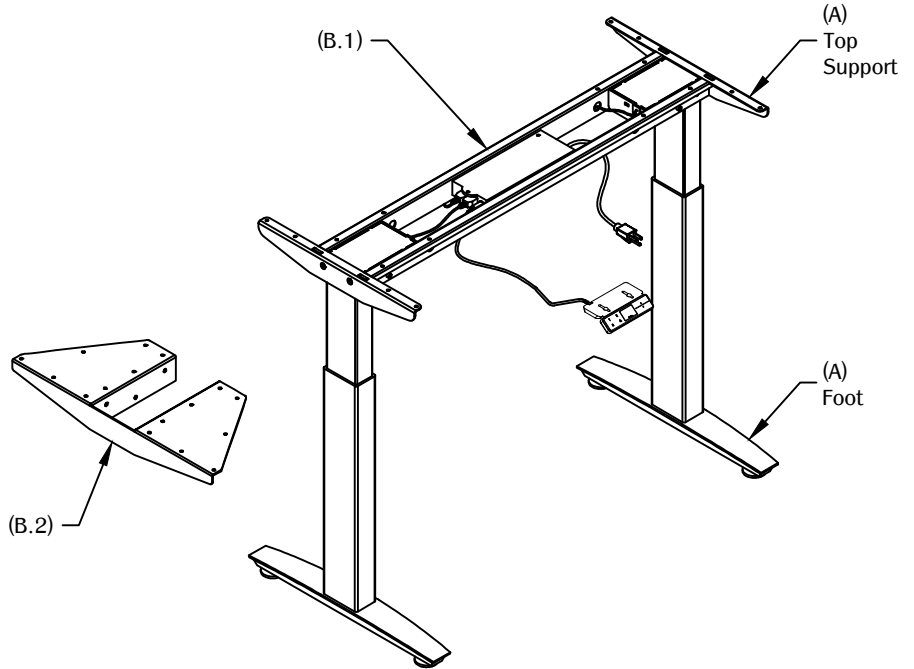
39" Max. top length 48"

45" Max. top length 54"

51" Max. top length 60"

57" Max. top length 66"

63" Max. top length 72"



(B.2) Independent Bracket\*\*

**OR**

BRACKET 2 QTY.

\*\* Optional independent brackets for use in lieu of Top Rails & Support.

**Note:**

- Standard Speed is 1-1/2" per second.
- Weight Capacity is 225 lbs.

(C) Finish

Charcoal

Metallic Silver

White

Custom

Specify Finish: \_\_\_\_\_

Quantity

\_\_\_\_\_

Company: \_\_\_\_\_

Phone: \_\_\_\_\_

Contact: \_\_\_\_\_

Fax: \_\_\_\_\_

email: \_\_\_\_\_

Date: \_\_\_\_\_

Signature: \_\_\_\_\_

**(Please note lead time is 5 to 8 weeks.)**

**\*\* TLEL3s are made to your specifications and cannot be cancelled once production begins. \*\***