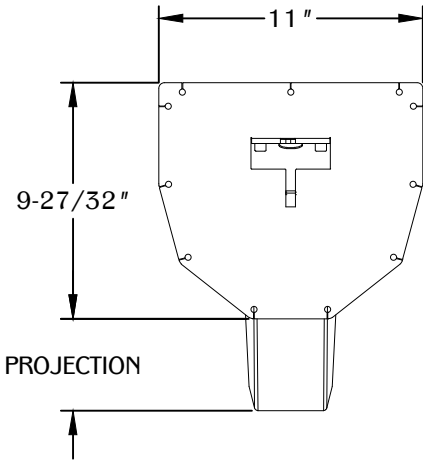


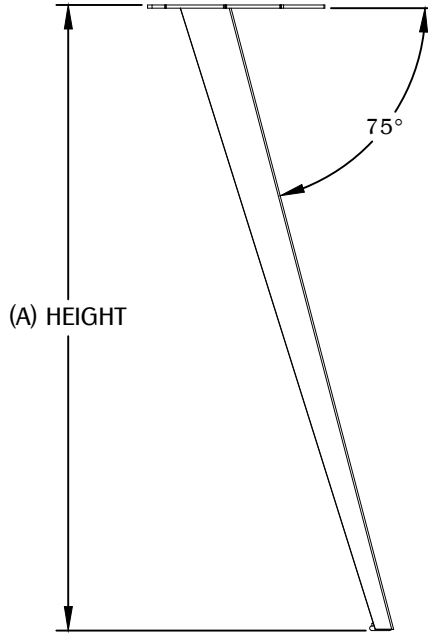
Select One:

(A.) Height

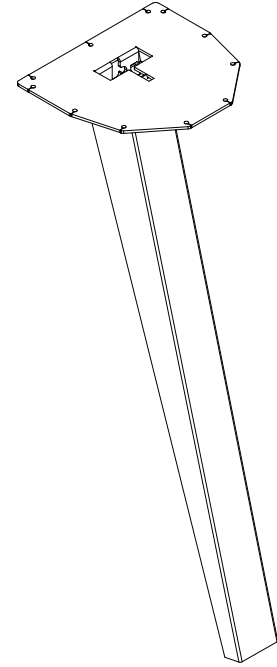
- 18in
Projection = N/A
(16-3/4" MIN. to 17" MAX. w/ Leveler)
- 29in
Projection = 1-5/8"
(27-3/4" MIN. to 28" MAX. w/ Leveler)
- 36in
Projection = 3-13/16"
(34-3/4" MIN. to 35" MAX. w/ Leveler)
- 42in
Projection = 5-11/16"
(40-3/4" MIN. to 41" MAX. w/ Leveler)



TOP VIEW



SIDE VIEW



*Weight capacity is 200 lbs.

(B) Finish

- Black
- Metallic Silver
- White
- Custom Paint: _____
Specify: _____

Quantity

Company: _____

Phone: _____

Contact: _____

Fax: _____

email: _____

Date: _____

Signature: _____

(Please note lead time is 5 to 8 weeks.)

**** Legs are made to your specifications and cannot be canceled once production begins. ****