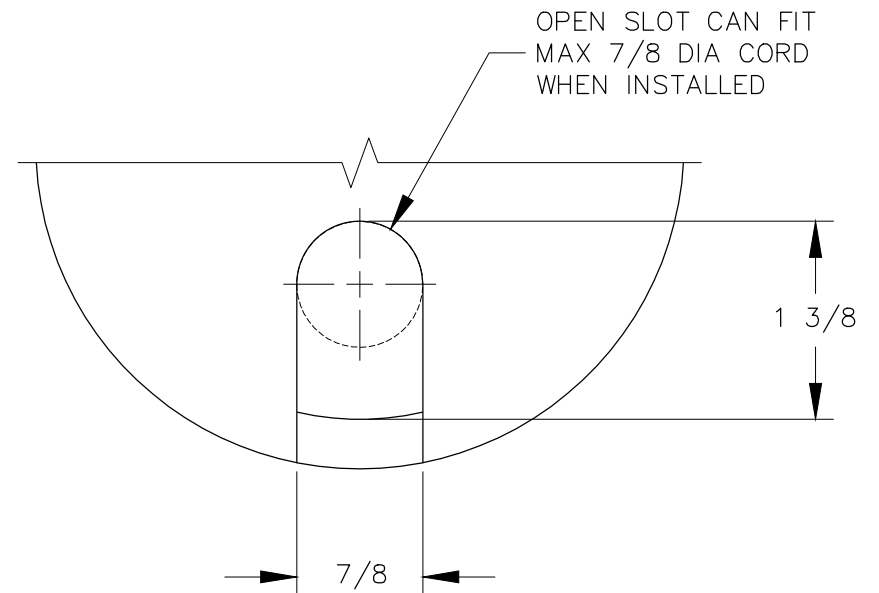
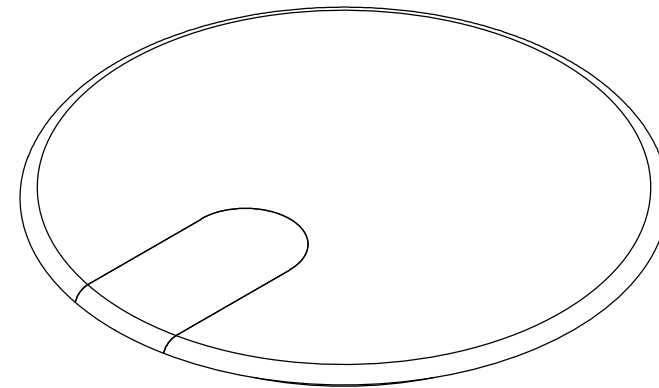
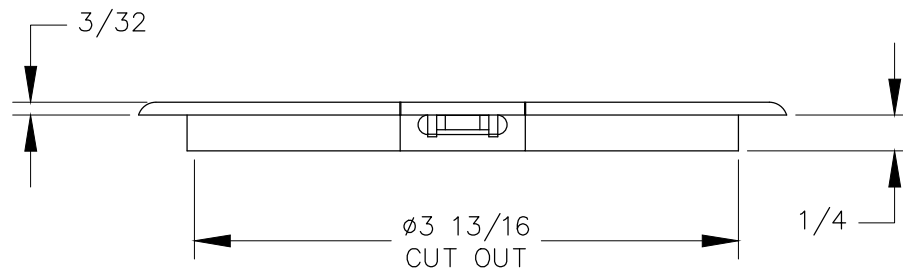


TOP VIEW



DETAIL



FRONT VIEW