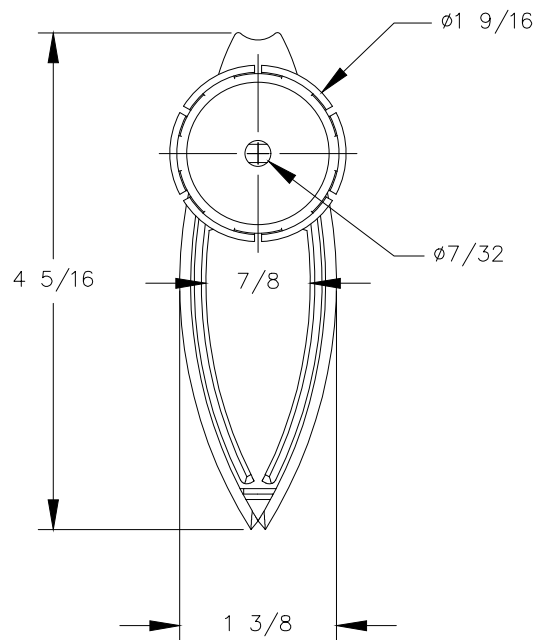
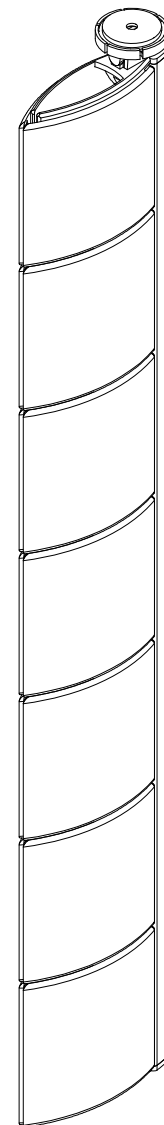


FRONT VIEW



TOP VIEW



NOTE:

1. Minimum clearance required 28 inches under the work surface.