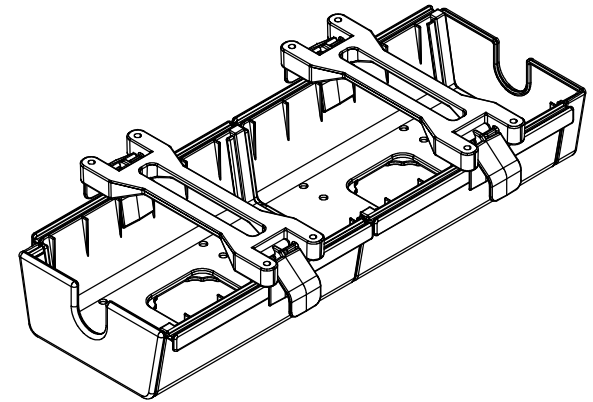
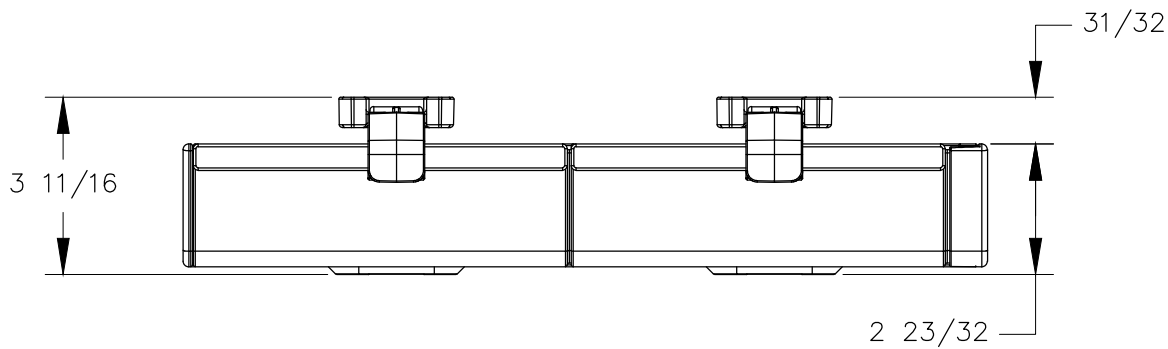


TOP VIEW

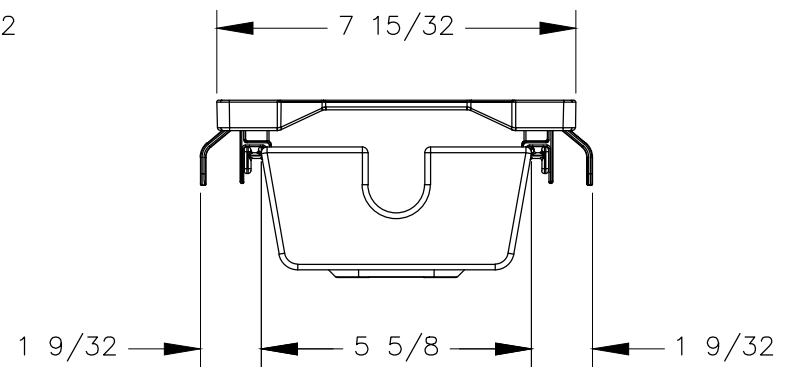


NOTES:

1. Recommended table thickness is 1".



FRONT VIEW



RIGHT VIEW