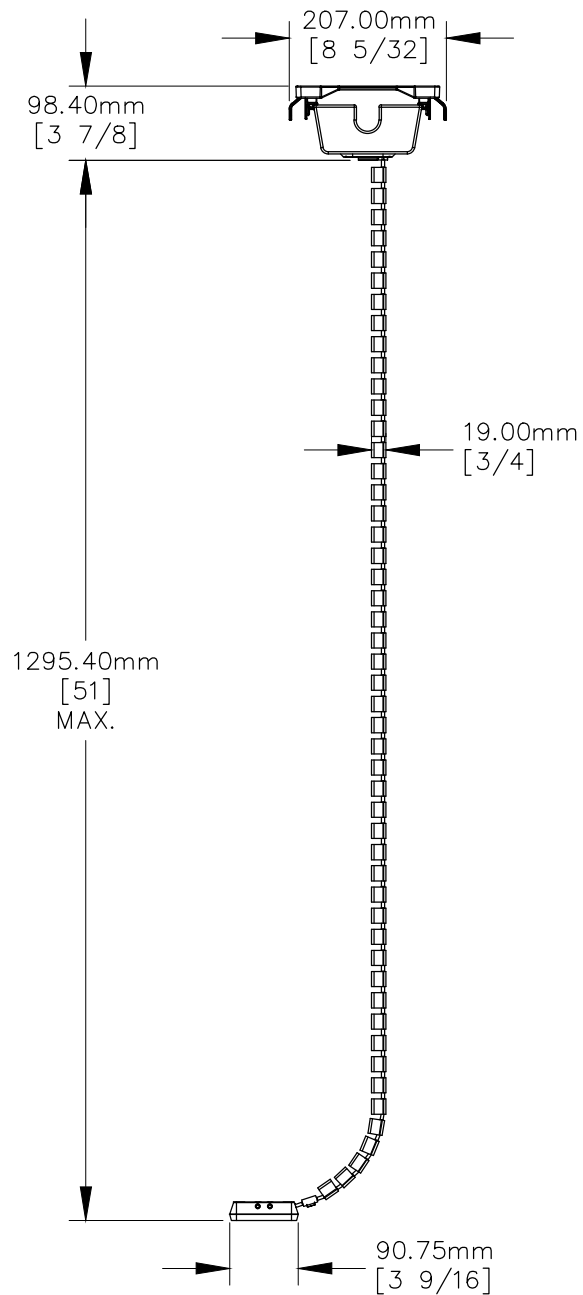
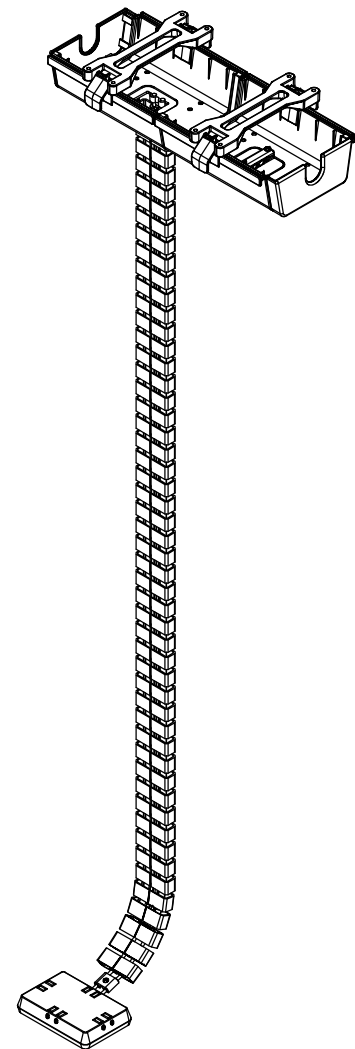


FRONT VIEW



RIGHT VIEW



NOTE:

1. Min. table thickness is 1"
2. Max. cord thickness is $\phi 14.65\text{mm}$ [$\phi 9/16$ "].