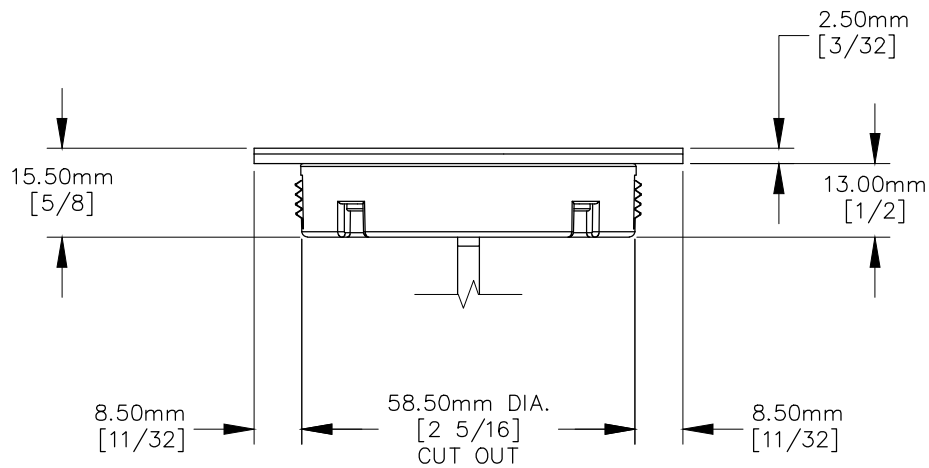
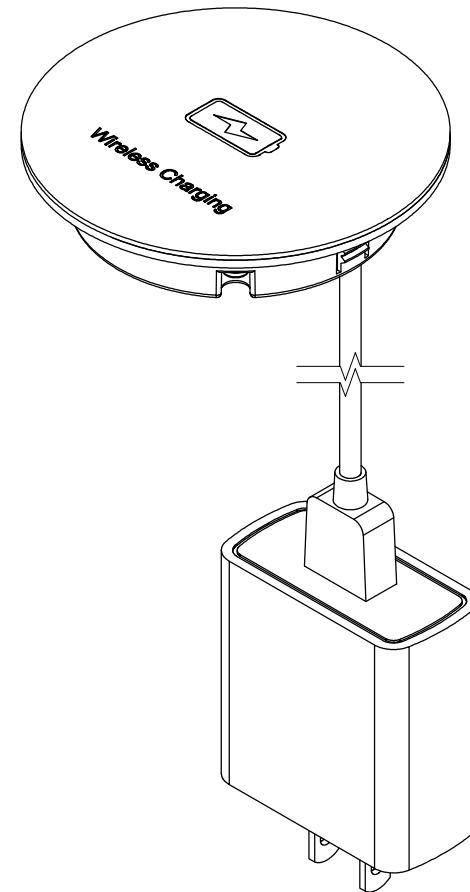


TOP VIEW



FRONT VIEW



NOTE:

1. Cord length is 6 ft.
2. Make sure your device is wireless compatible.
3. Table thickness is 3/4" Min. for surface mount installation.
4. Wireless output is 10W.
5. Power adapter is 1 29/32" X 1 27/32" X 15/16".