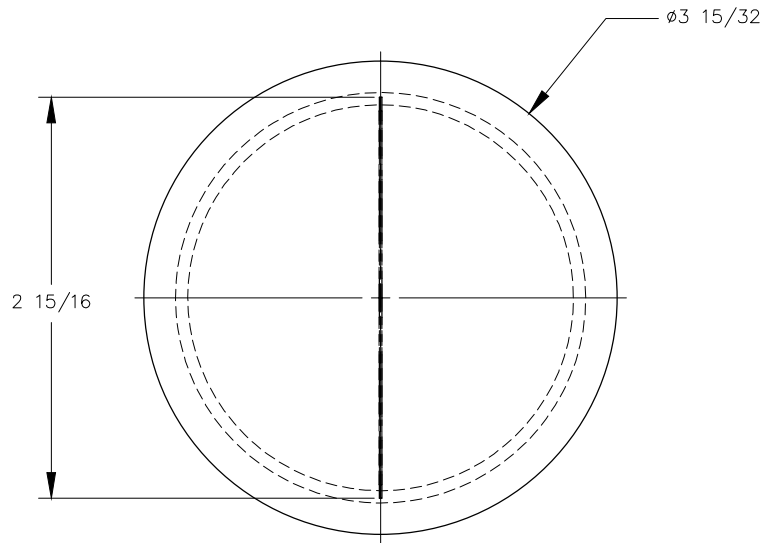
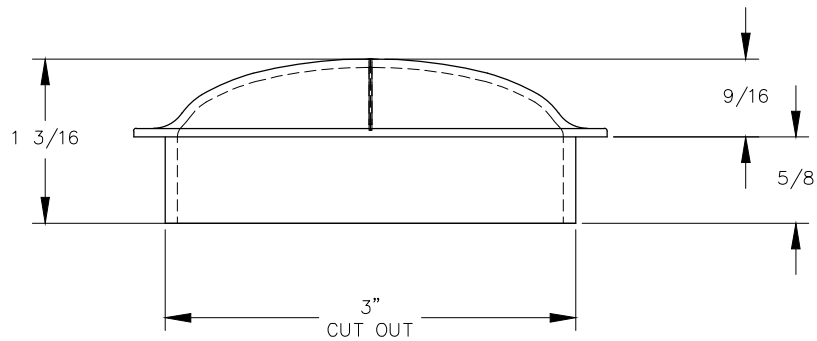
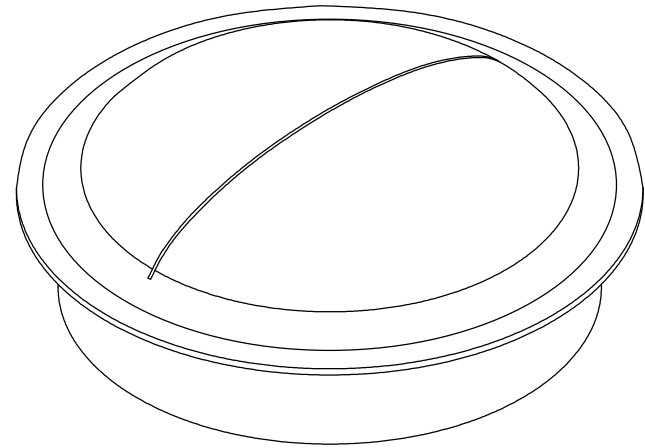


WAL
20008.08.22



TOP VIEW



SIDE VIEW

MOCKETT
DOBQ MOCKETT & COMPANY, INC

P.O. BOX 3333
MANHATTAN BEACH, CA 90266 USA
PHONE: 310.318.2491 FAX: 310.376.7650
email: info@mockett.com www.mockett.com

PROPRIETARY AND CONFIDENTIAL.
ALL DIMENSIONS HAVE A $\pm 1/32$ TOLERANCE UNLESS OTHERWISE SPECIFIED. WE DO NOT RECOMMEND DRILLING OR CUTTING ANY HOLES BEFORE RECEIVING A PRODUCT OR A PRODUCT SAMPLE.
ALL MEASUREMENTS ARE IN INCHES.

PART NAME: WAL		DRAWN BY: -	LAST EDITED: ROD	REQUESTED BY: -	SHEET: 1 OF 1
SCALE: N.T.S.	TOLERANCE: $\pm 1/32$ "	DATE: 0000.00.00	DATE: 2017.30.17	12:00Pm	APPROVED BY: -