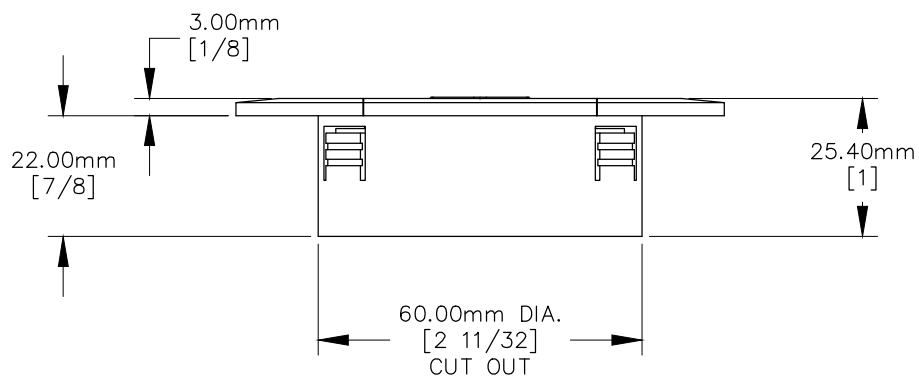
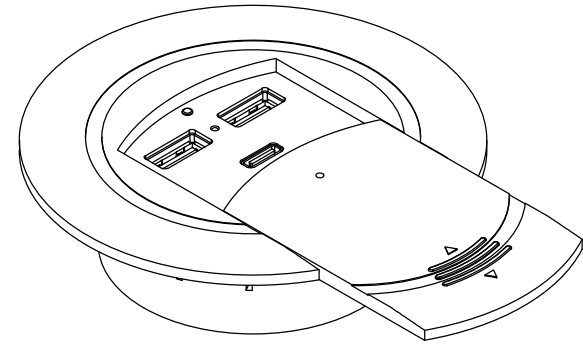


TOP VIEW



FRONT VIEW



NOTES:

1. Total cord length is 9 ft.
2. Power adapter dimension is 2 3/4" X 4 1/2" X 3/4".
3. USB-A and USB-C ports are for charging use only.
4. *60mm drill bit required.
5. Auxiliary USB-A port is located on power adapter.