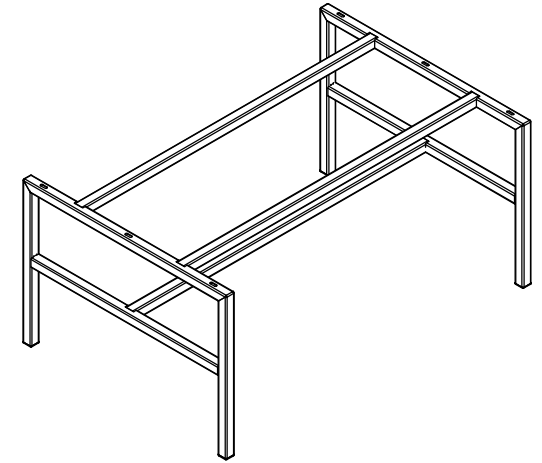


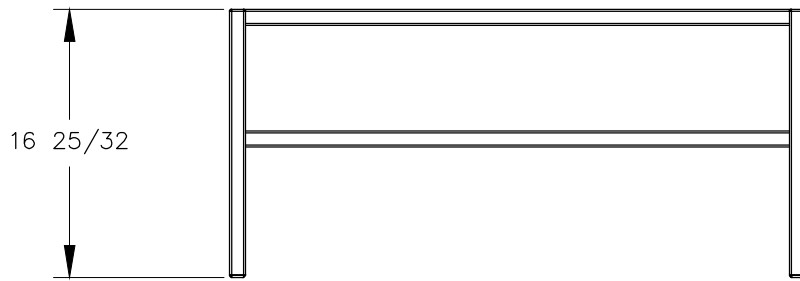
(A) LENGTH	(B) O.C.
12	11
14	13
36	35
46	45
48	47



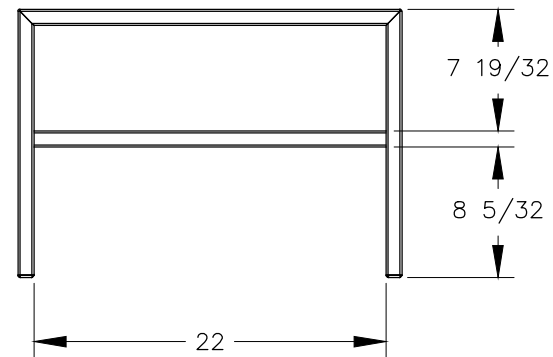
NOTE:

- 1 SQ. Steel tubing.
- Weight Capacity is 114 lbs MAX.

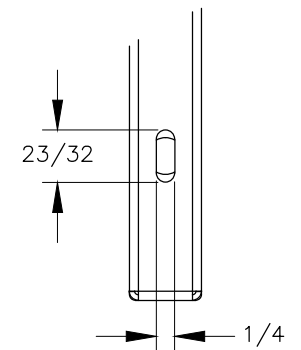
TOP VIEW



FRONT VIEW



RIGHT VIEW



DETAIL A