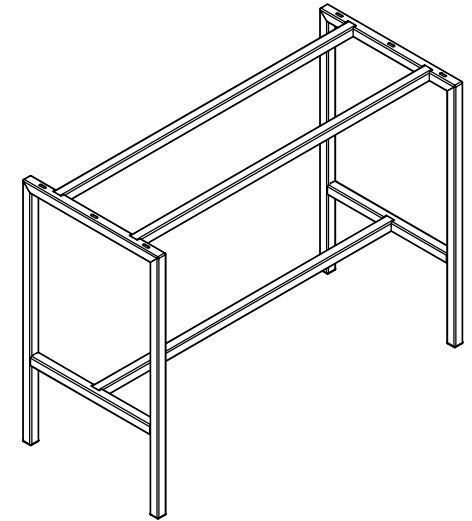


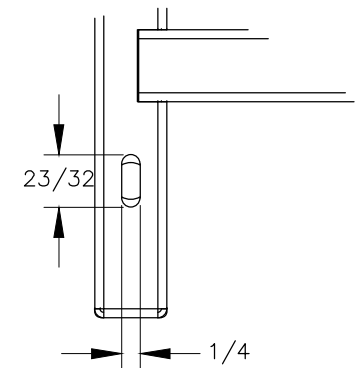
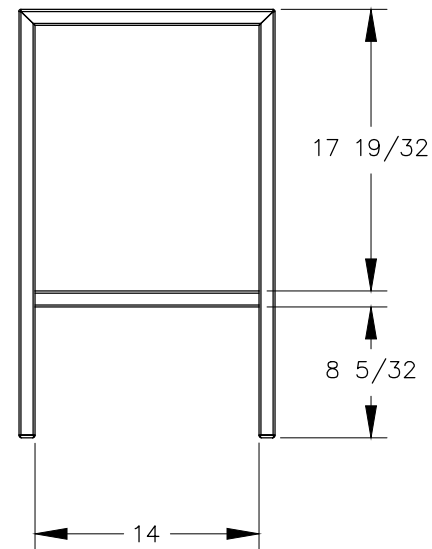
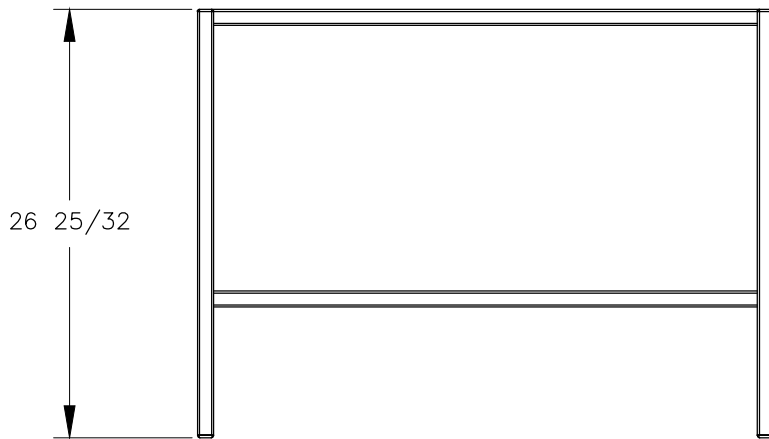
(A) LENGTH	(B) O.C.
12	11
14	13
36	35
46	45
48	47



NOTE:

1. 1 SQ. Steel tubing.
2. Weight Capacity is 84 lbs MAX.

TOP VIEW



FRONT VIEW

RIGHT VIEW

DETAIL A