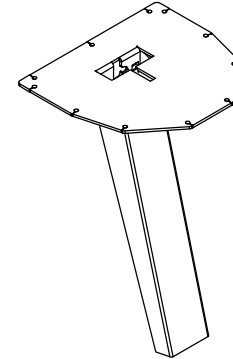
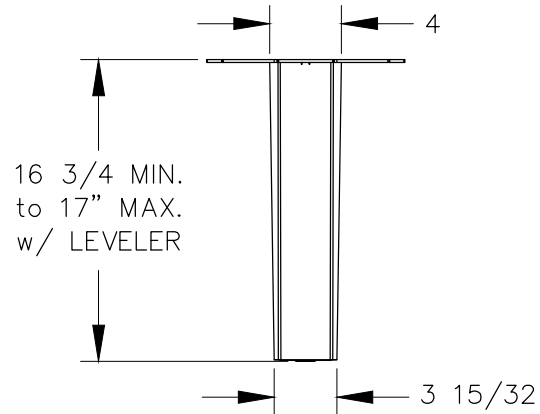


TOP VIEW

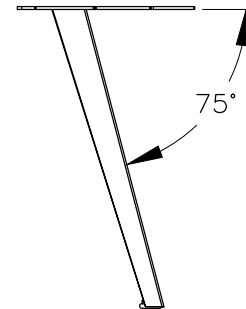


NOTES:

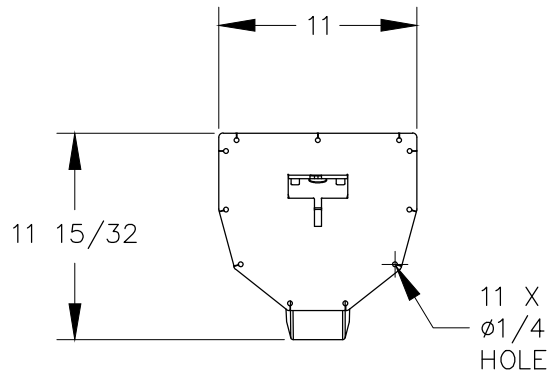
- Weight Capacity is 200 lbs.



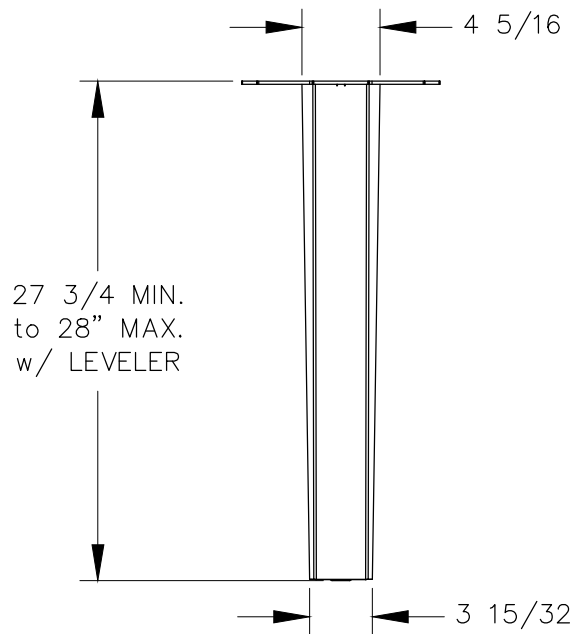
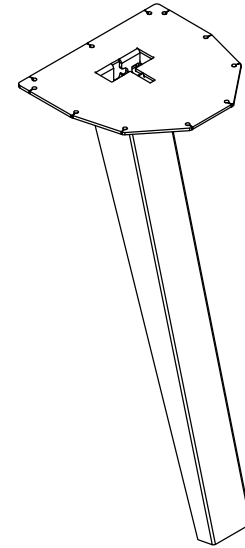
FRONT VIEW



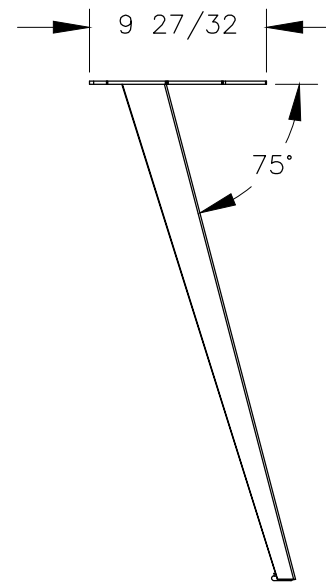
RIGHT VIEW



TOP VIEW



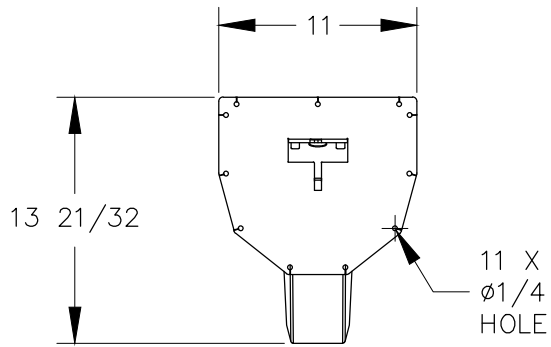
FRONT VIEW



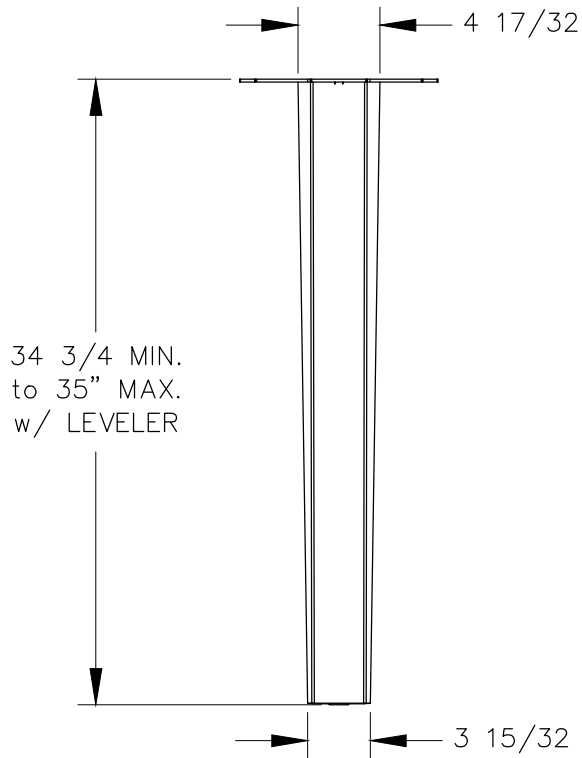
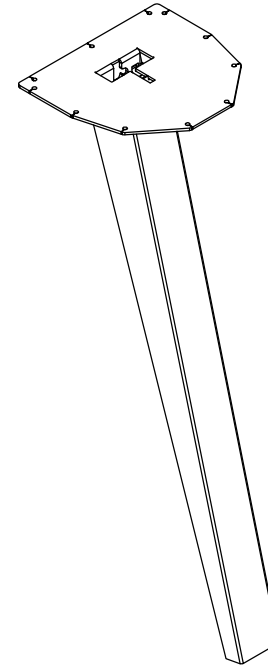
RIGHT VIEW

NOTES:

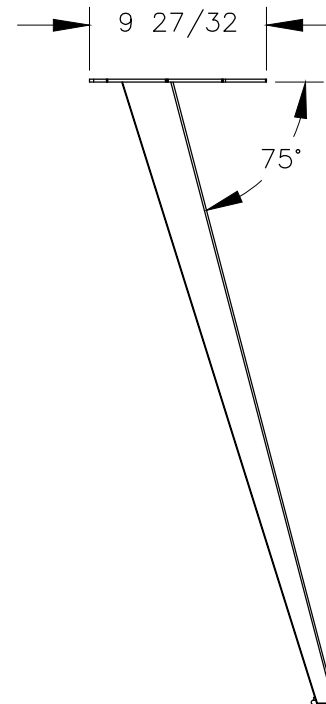
1. Weight Capacity is 200 lbs.



TOP VIEW



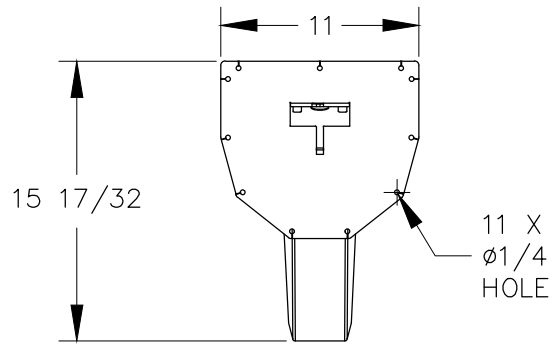
FRONT VIEW



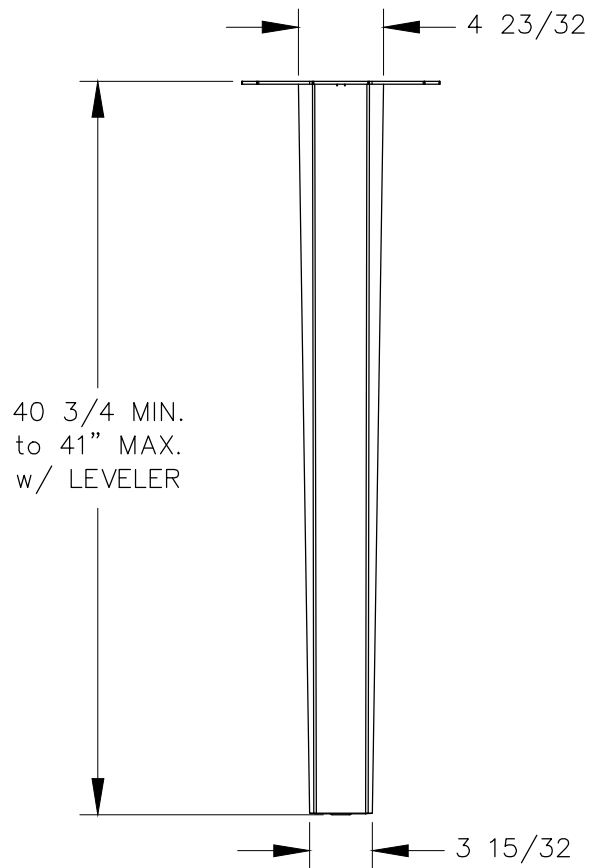
RIGHT VIEW

NOTES:

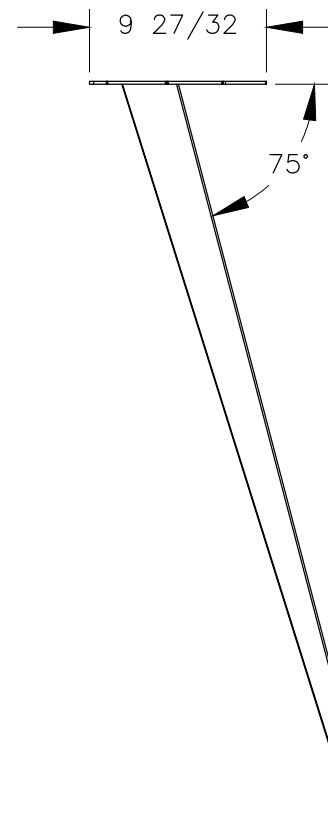
1. Weight Capacity is 200 lbs.



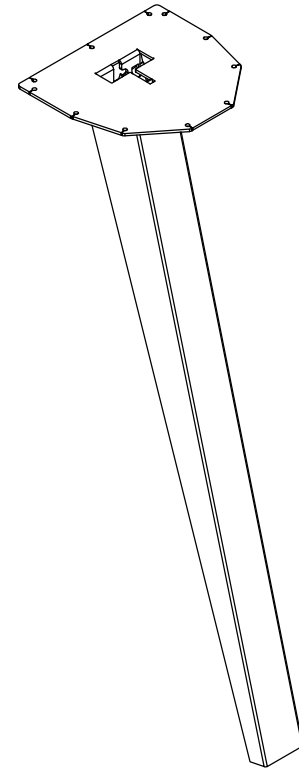
TOP VIEW



FRONT VIEW



RIGHT VIEW



NOTES:

1. Weight Capacity is 200 lbs.