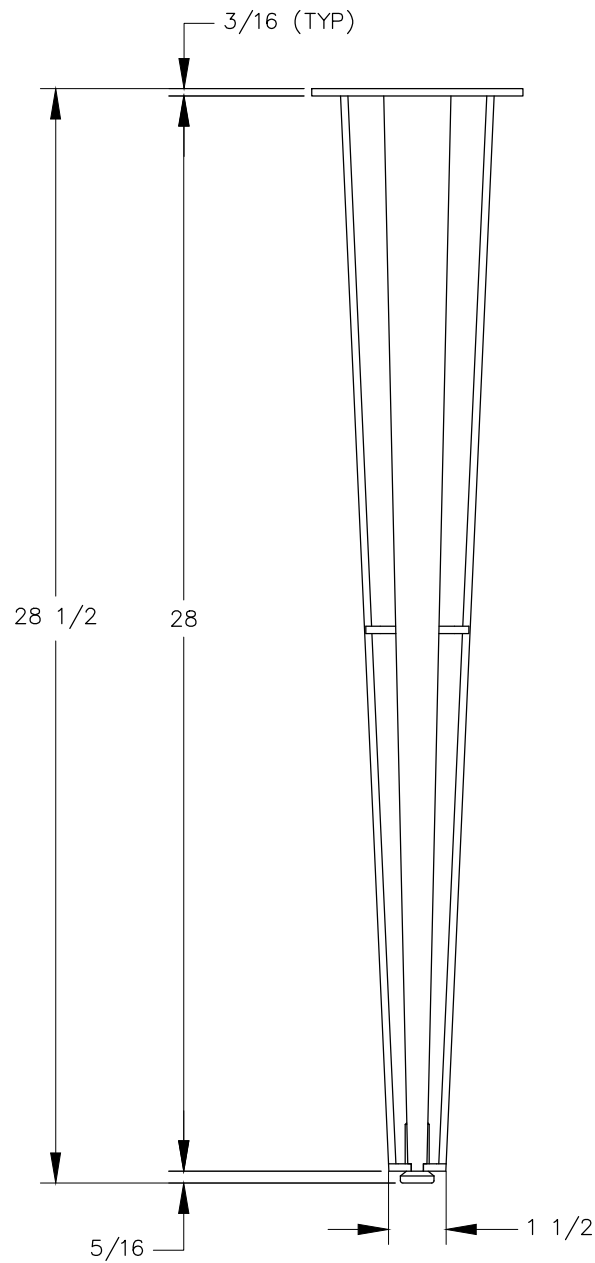


4X
 $\phi 1/4$
 COUNTERSUNK TO
 $\phi 1/2$

TOP VIEW



FRONT VIEW

