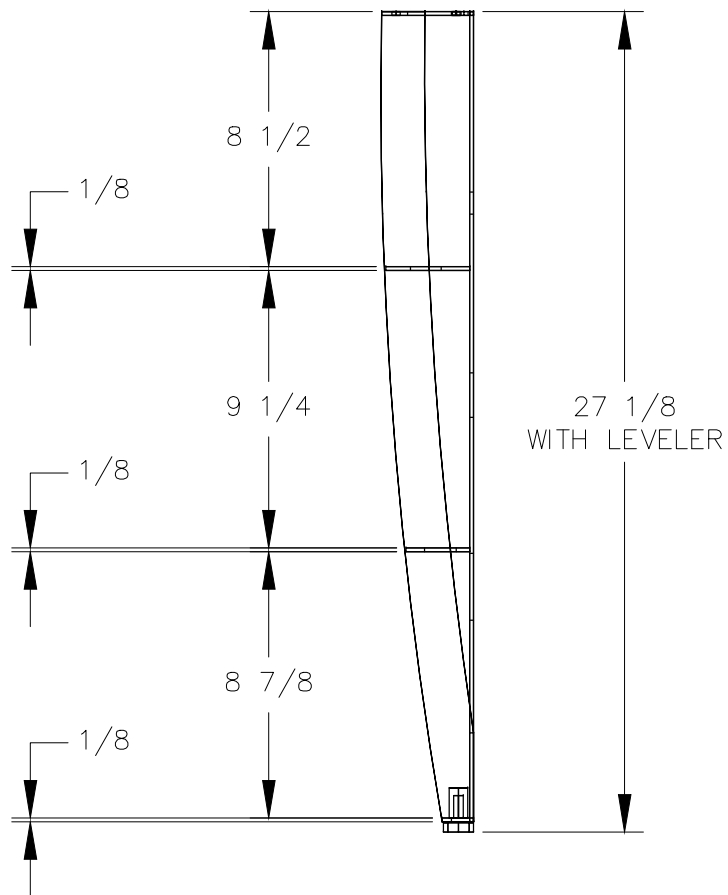


TOP VIEW



FRONT VIEW



PART NAME: TL54A		DRAWN BY: AN		LAST EDITED: -		REQUESTED BY: RN		SHEET: 1 OF 1	
SCALE: AS NOTED	TOLERANCE: -/+ 1/32" UNLESS SPECIFIED	DATE: 2019.09.05		DATE: -		APPROVED BY: -			