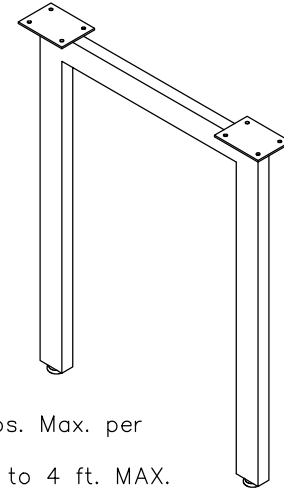
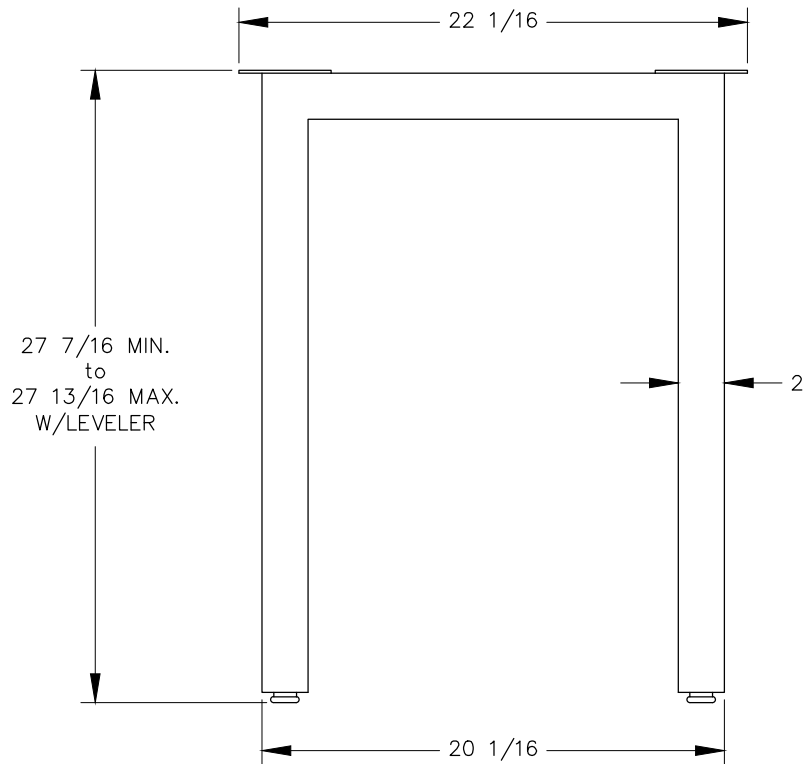


TOP VIEW

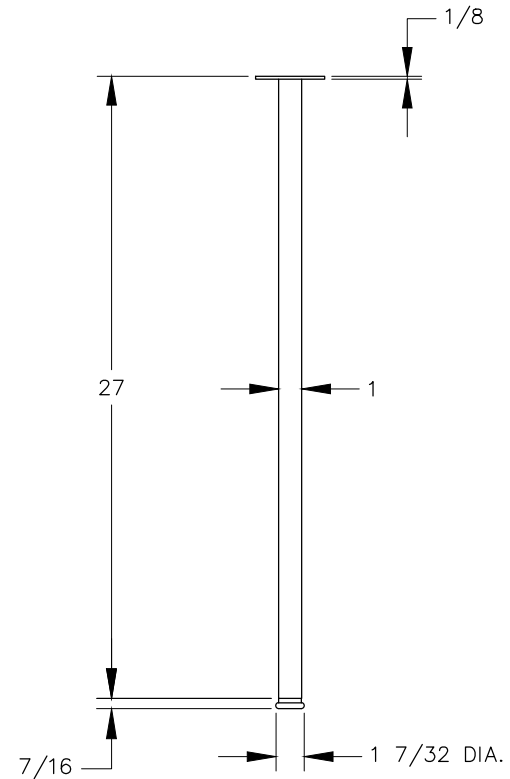


NOTE:

1. Weight capacity is 200 lbs. Max. per leg.
2. Table width is 2 ft. MIN. to 4 ft. MAX.
3. Table length is 4 ft. MIN. to 6 ft. MAX.



FRONT VIEW



SIDE VIEW