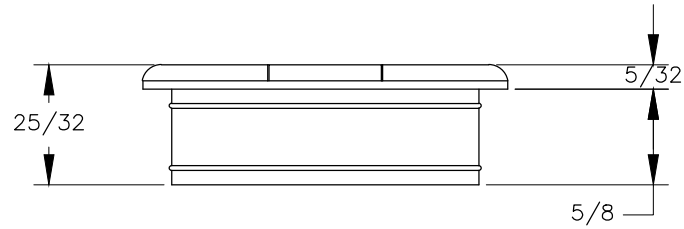
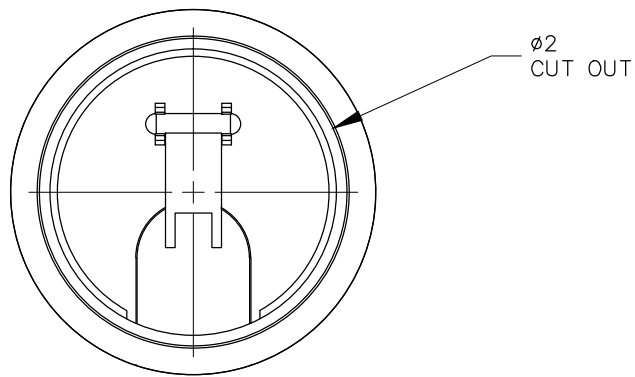


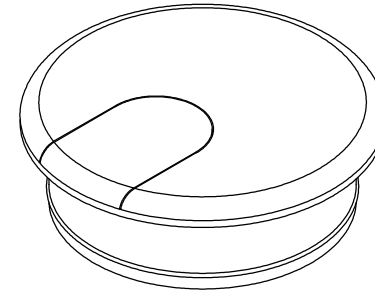
TOP VIEW



FRONT VIEW



BOTTOM VIEW



NOTE:

1. Maximum cord diameter is $\frac{3}{4}$.