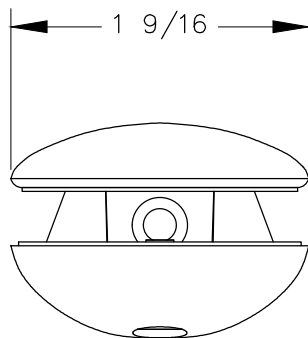
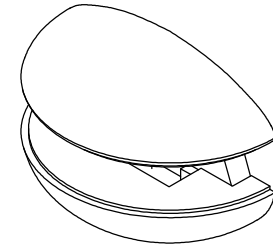


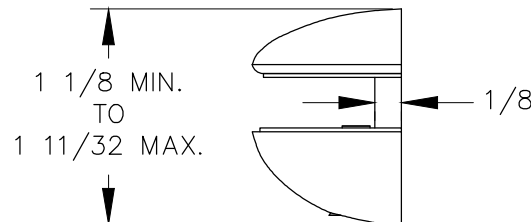
TOP VIEW

NOTE:

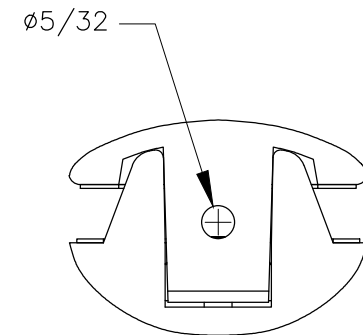
1. Weight capacity is 25 lbs. MAX. per set.
2. Shelf projection is 12 inch MAX.
3. Shelf thickness is 1/4 MIN. to 1/2 MAX.



FRONT VIEW



SIDE VIEW



REAR VIEW