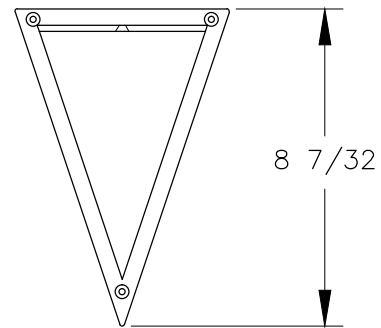
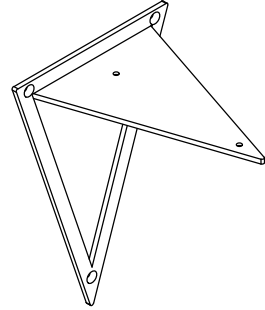
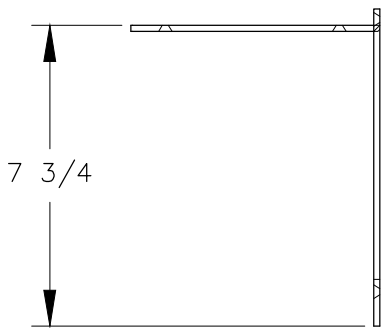


TOP VIEW



FRONT VIEW



SIDE VIEW

WEIGHT CAPACITY 20lbs.
W/HK ANCHOR BIN #A1A088

PART NAME: SH54B		DRAWN BY: AN		LAST EDITED: -		REQUESTED BY: VM		SHEET: 1 OF 1	
SCALE: N.T.S.	TOLERANCE: ± 1/32" UNLESS SPECIFIED	DATE: 2017.10.05		DATE: -		APPROVED BY: -			