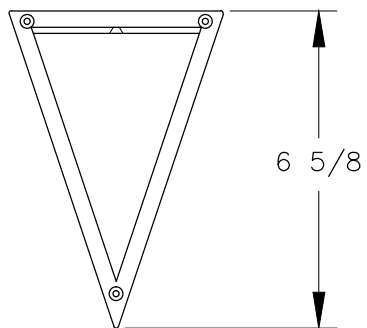
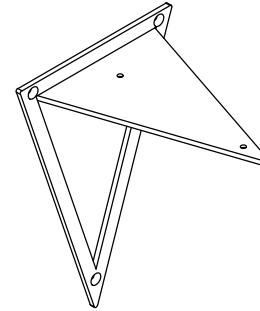
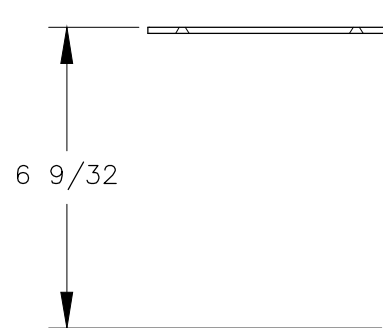


TOP VIEW



FRONT VIEW



SIDE VIEW

WEIGHT CAPACITY 20lbs.
W/HK ANCHOR BIN #A1A088