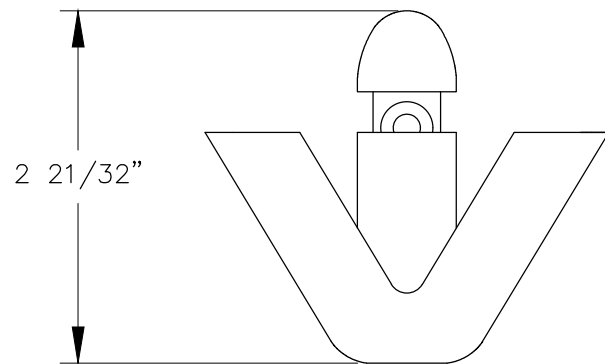
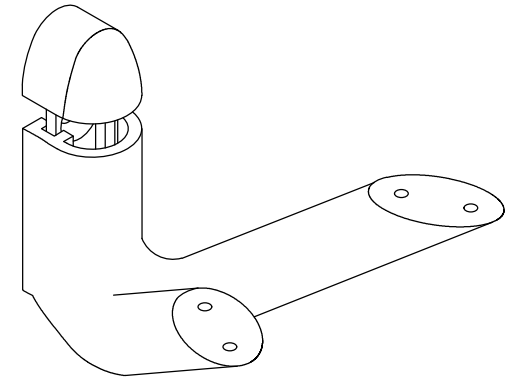
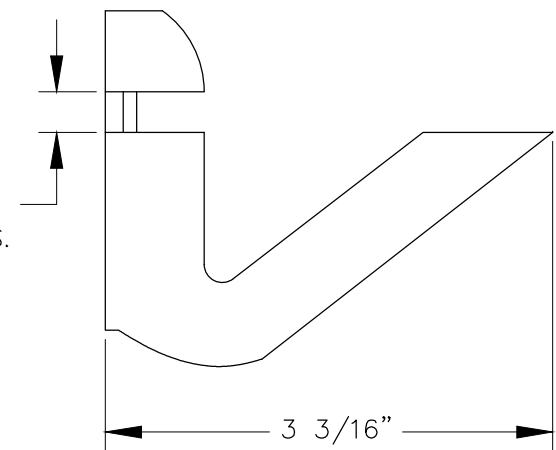


TOP VIEW



FRONT VIEW

1/4 MIN.
5/8 MAX.
GLASS THICKNESS.



SIDE VIEW