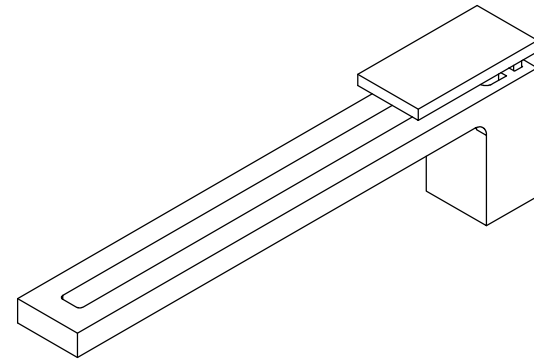
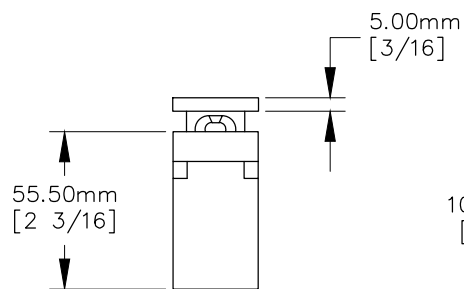


TOP VIEW

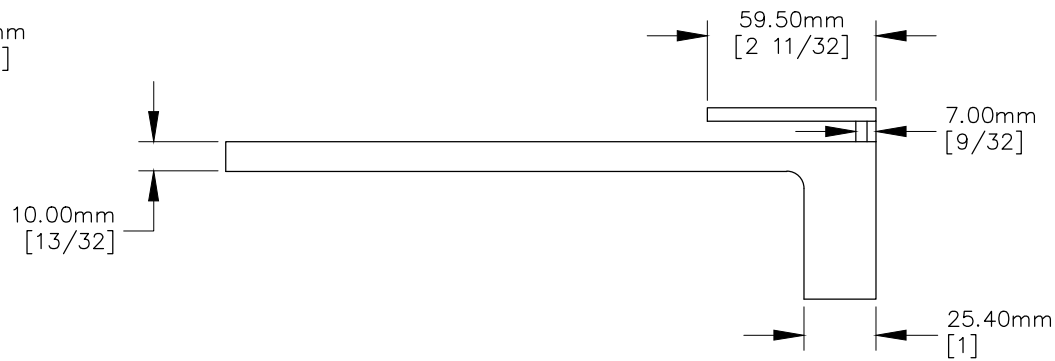


NOTE:

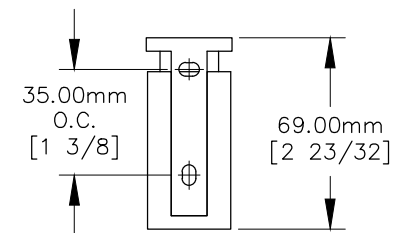
1. Weight capacity is 25 lbs.
2. Bracket spacing is 24 in. MAX.
3. Shelf projection is 12 in. MAX.
4. Shelf thickness is 10.00mm [13/32] MIN. to 48.00mm [1 7/8] MAX.



FRONT VIEW



SIDE VIEW



REAR VIEW