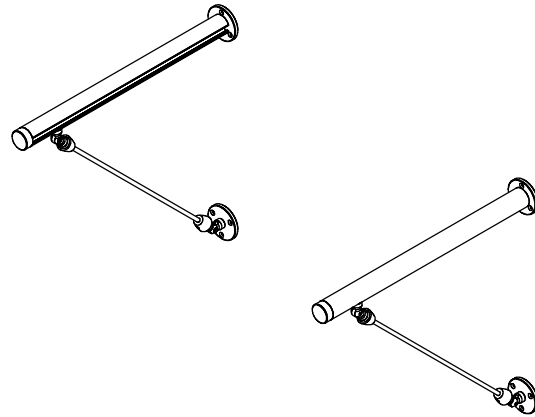
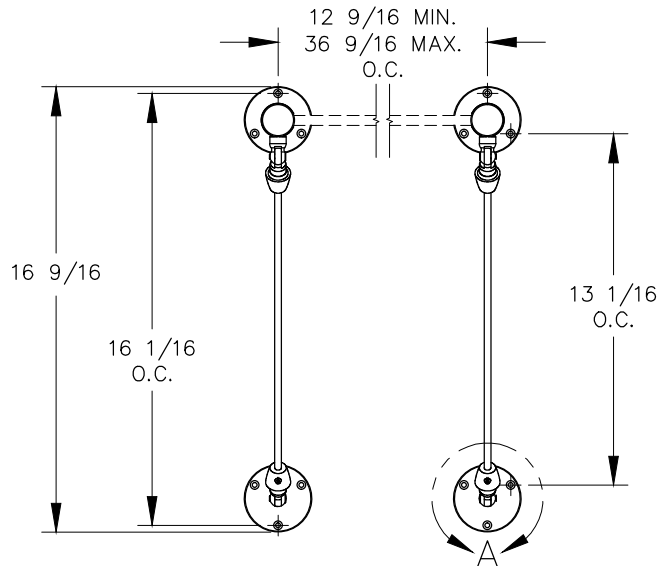


TOP VIEW

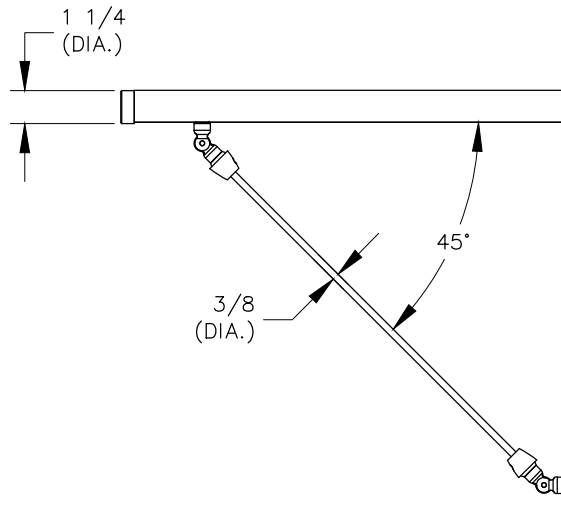


NOTE:

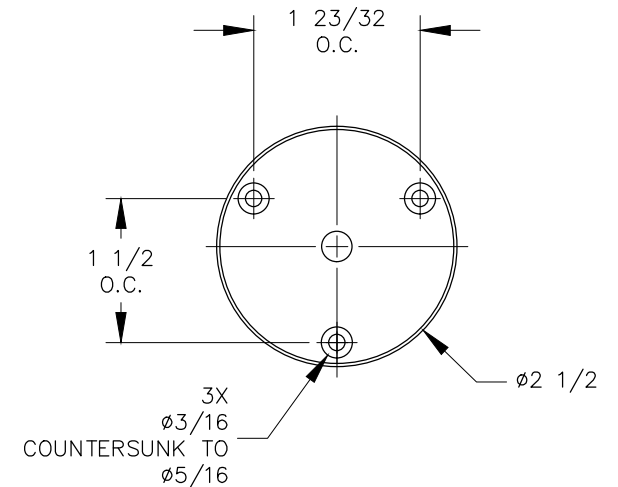
1. Hardwood or tempered glass shelves only.
2. 3/8" shelf thickness.
3. 16" shelf depth.
4. 12" Min. to 36" Max. shelf length.
5. 50 lbs. weight capacity.



FRONT VIEW



SIDE VIEW



DETAIL A
N.T.S.