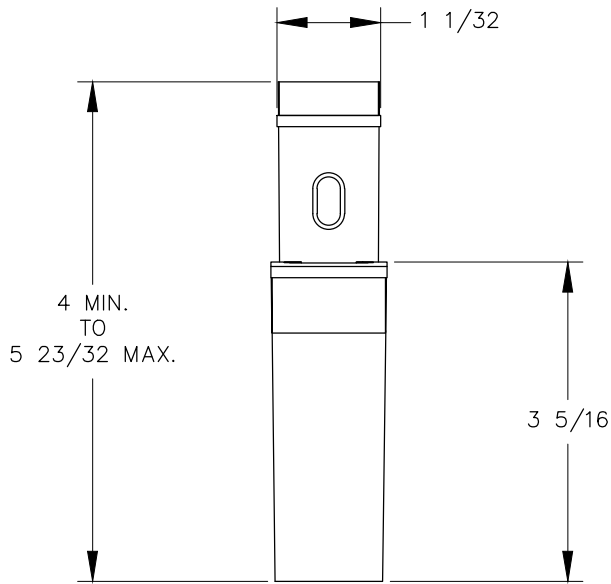
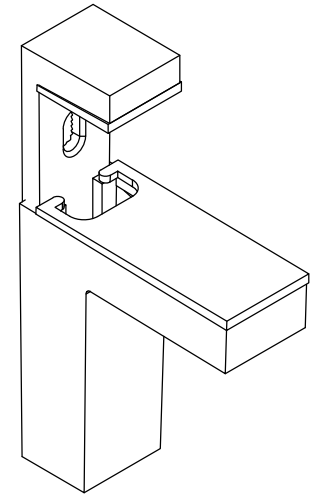


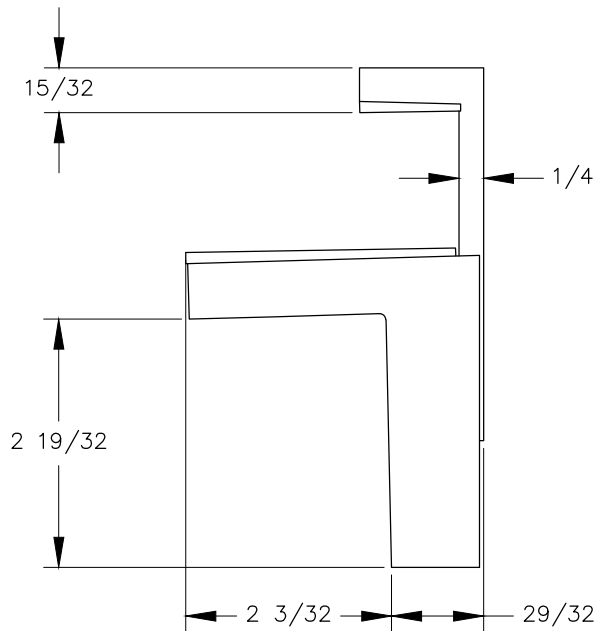
TOP VIEW

NOTE:

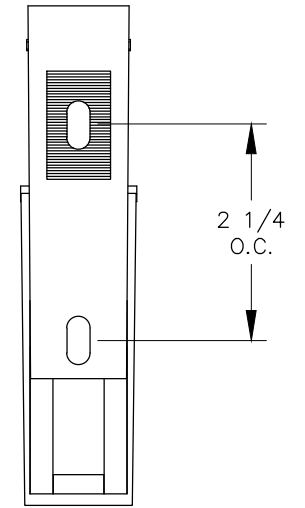
- Weight capacity is 40 lbs. MAX. per bracket installed into stud or concrete.
- Weight capacity is 15 lbs. MAX. per bracket installed into drywall.
- Shelf projection is 8 inch MAX.
- Shelf thickness is 1/4 MIN. To 1 7/8 MAX.
- Maximum bracket spacing is 24 inch.



FRONT VIEW



SIDE VIEW



REAR VIEW

PART NAME: SH37		DRAWN BY: AN	LAST EDITED: AN	REQUESTED BY: -	SHEET: 1 OF 1
SCALE: N.T.S.	TOLERANCE: ± 1/16" UNLESS SPECIFIED	DATE: 2020.08.13	DATE: 2020.08.20	APPROVED BY: -	