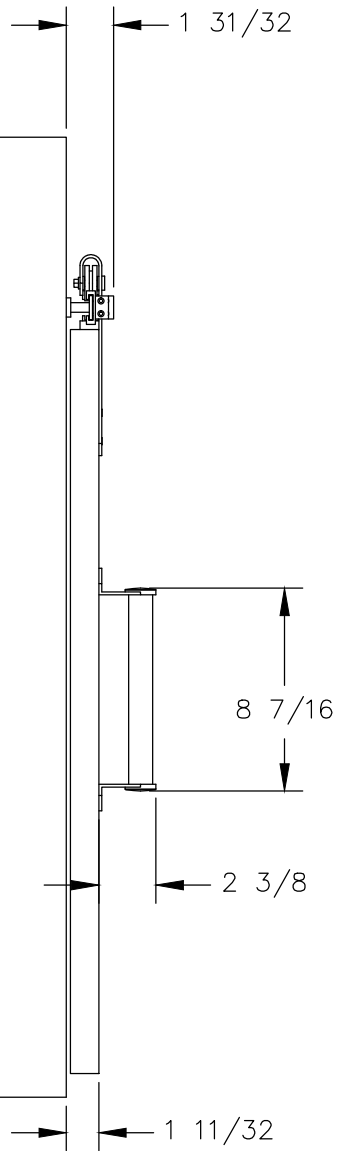
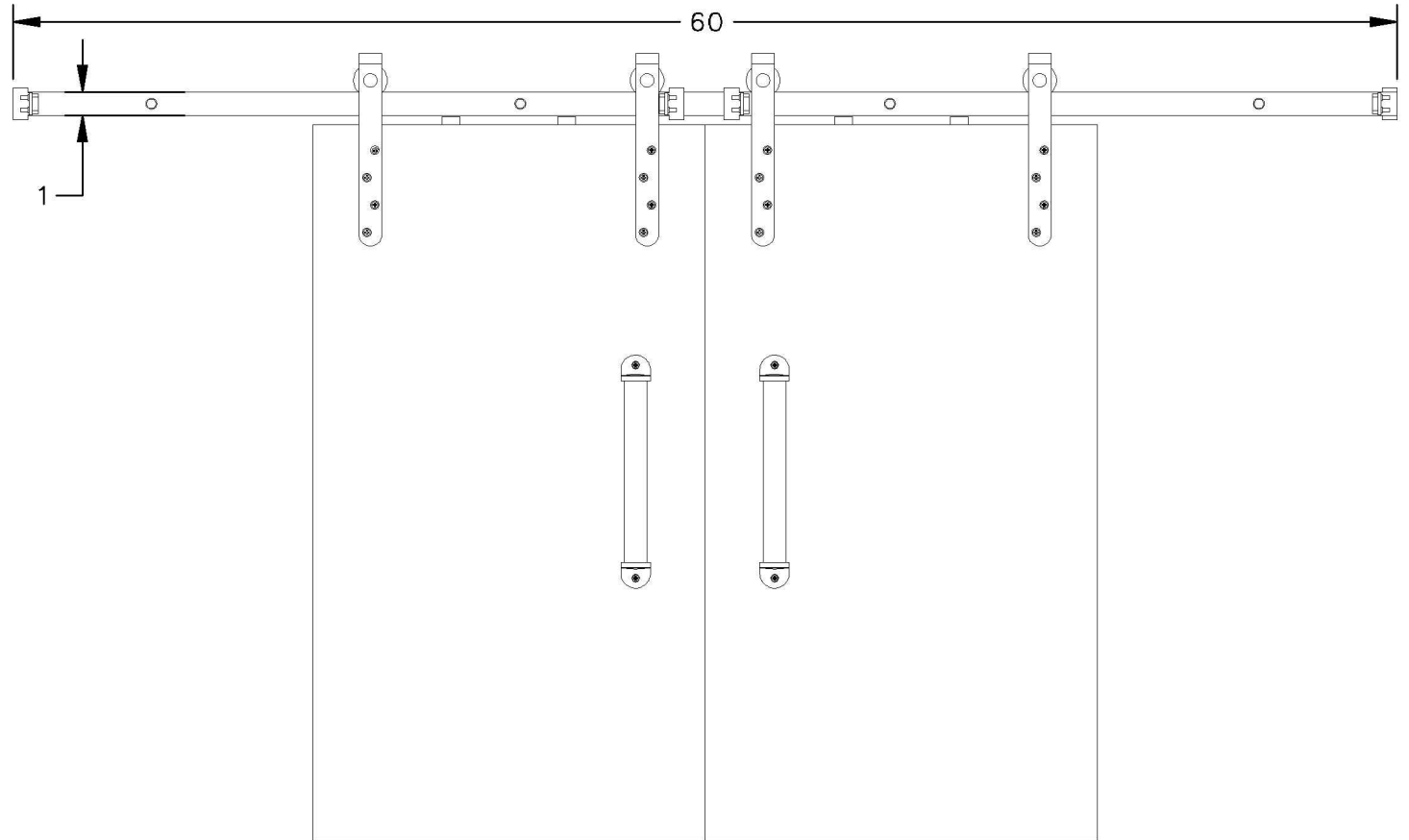


1 31/32



SIDE VIEW



FRONT VIEW



P.O. BOX 3333
 MANHATTAN BEACH, CA 90266 USA
 PHONE: 310.318.2491 FAX: 310.376.7650
 email: info@mockett.com www.mockett.com

PROPRIETARY AND CONFIDENTIAL.
 ALL DIMENSIONS HAVE A +/- 1/32" TOLERANCE UNLESS OTHERWISE SPECIFIED. WE DO NOT RECOMMEND DRILLING OR CUTTING ANY HOLES BEFORE RECEIVING A PRODUCT OR A PRODUCT SAMPLE.
 ALL MEASUREMENTS ARE IN INCHES.

PART NAME: SDH4		DRAWN BY: AN	LAST EDITED: -	REQUESTED BY: -	SHEET: 1 OF 1
SCALE: N.T.S.	TOLERANCE: ± 1/32" UNLESS SPECIFIED	DATE: 2018.12.04	DATE: 0000.00.00	APPROVED BY: -	