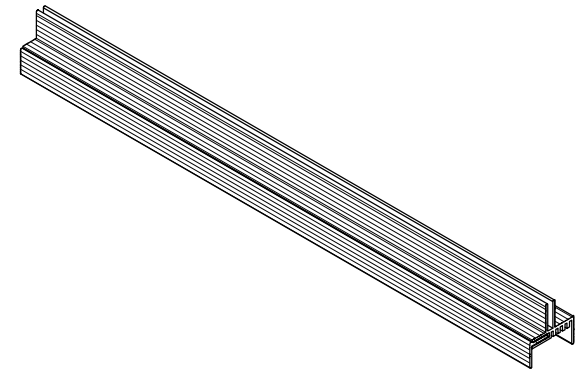
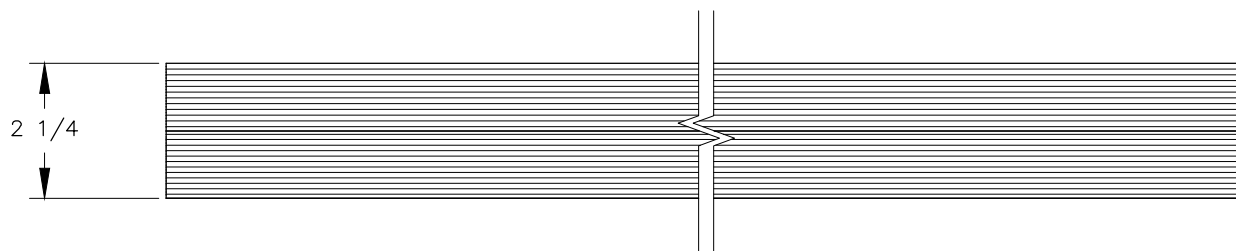


TOP VIEW

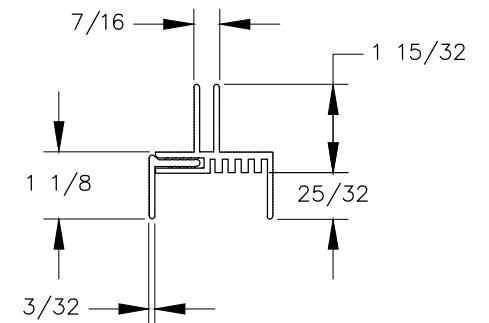


NOTE:

1. Panel wall thickness is 1 7/8 MIN. to 2 1/4 MAX.
2. Panel thickness is 1/4 MAX.
3. Panel height is 18 in. MAX.



FRONT VIEW



RIGHT VIEW