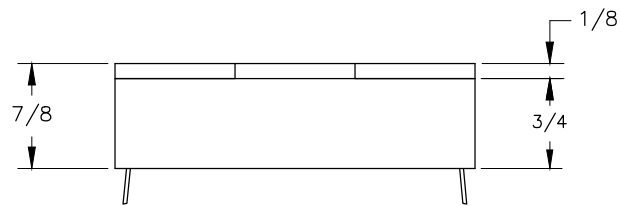
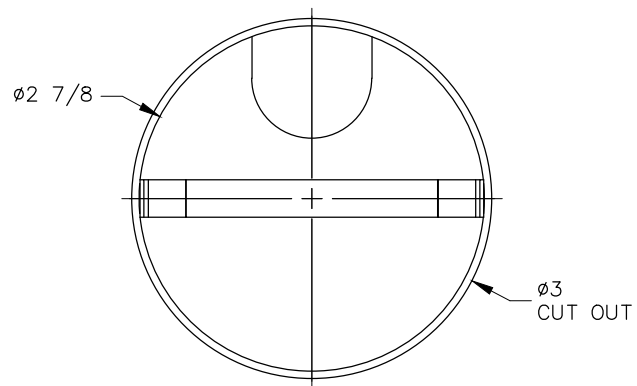


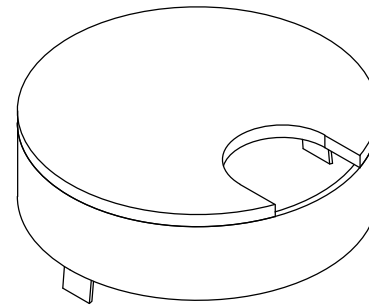
TOP VIEW



FRONT VIEW



BOTTOM VIEW



NOTE:

1. Maximum cord thickness is 15/16" DIA.
2. Table thickness is 7/8" MIN.