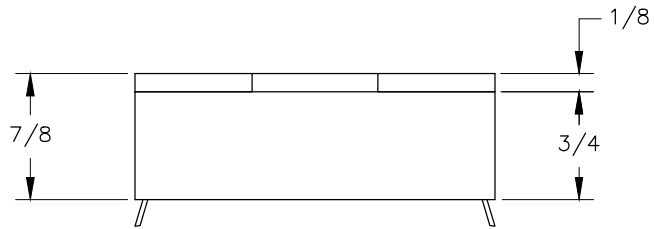
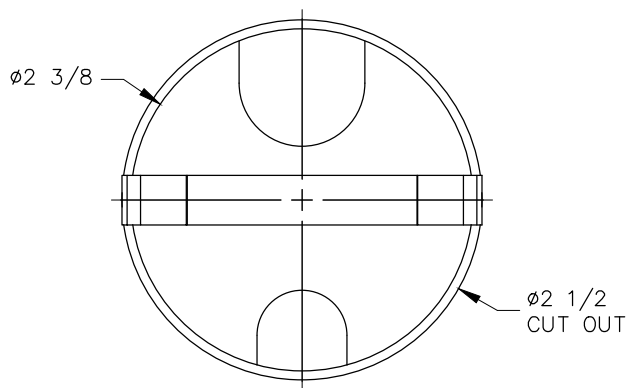


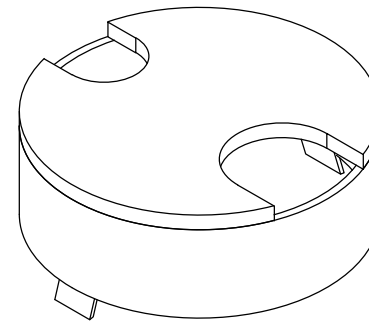
TOP VIEW



FRONT VIEW



BOTTOM VIEW



NOTE:

1. Maximum cord thickness is  $\frac{13}{16}$ " DIA.
2. Table thickness is  $\frac{7}{8}$ " MIN.