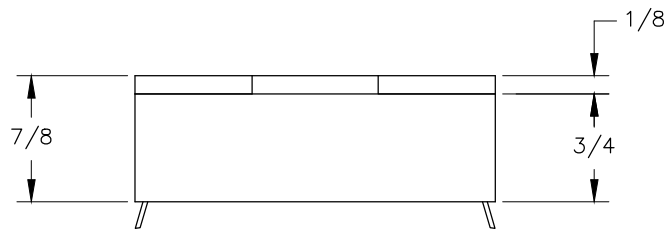
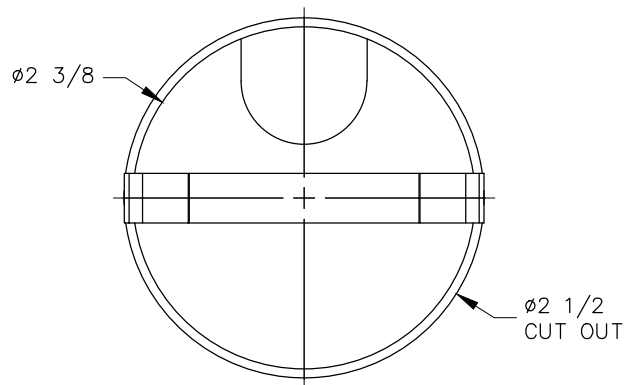


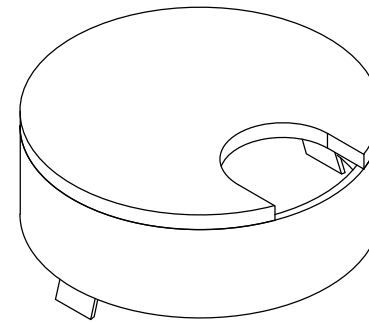
TOP VIEW



FRONT VIEW



BOTTOM VIEW



NOTE:

1. Maximum cord thickness is 13/16" DIA.
2. Table thickness is 7/8" MIN.

PART NAME: PS-2B		DRAWN BY: AN	LAST EDITED: AN	REQUESTED BY: -	SHEET: 1 OF 1
SCALE: N.T.S.	TOLERANCE: ± 1/32" UNLESS SPECIFIED	DATE: 2020.01.13	DATE: 2020.04.24	APPROVED BY: -	