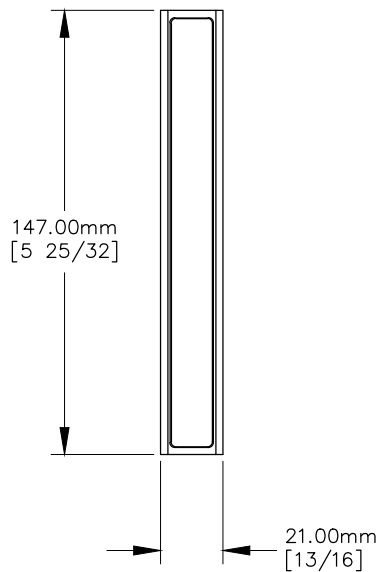
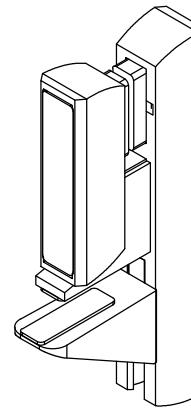


TOP VIEW



FRONT VIEW



SIDE VIEW

NOTE:

1. 4.00mm [5/32] MIN. to 18.00mm [23/32] MAX. with spacers panel thickness.
2. 20.00mm [25/32] MIN. to 30.00mm [1 3/16] MAX. without spacers panel thickness.
3. 12.00mm [15/32] MIN. to 30.00mm [1 3/16] MAX. table thickness with spacers.
4. 14.00mm [9/16] MIN. to 32.00mm [1 1/4] MAX. table thickness without spacers.
5. 18" MAX. panel height.
6. Recommended part spacing is 24" MAX.

