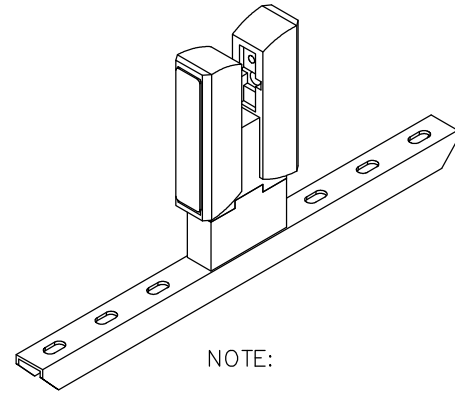
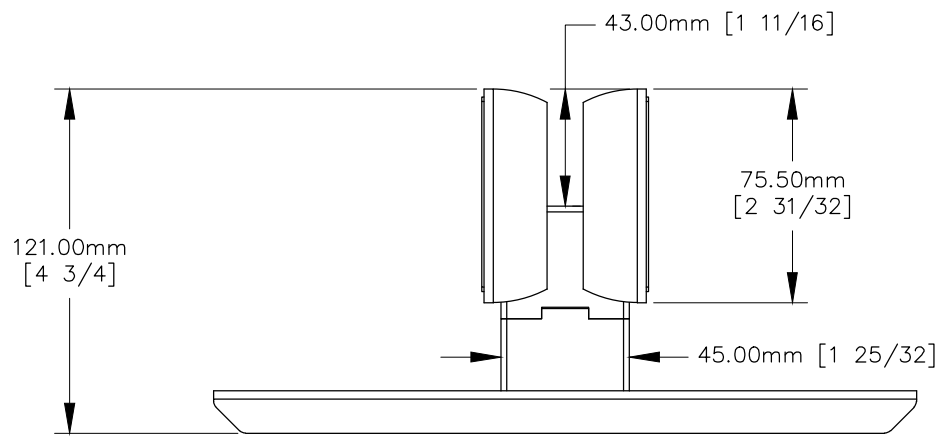


TOP VIEW

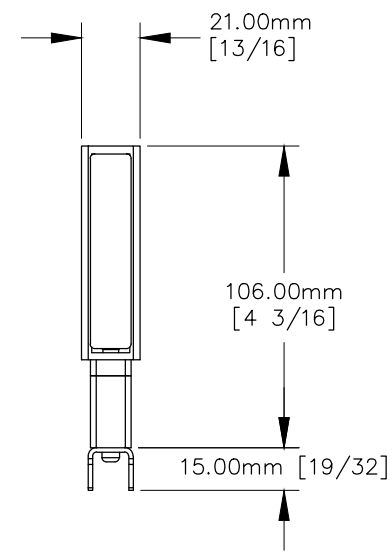


NOTE:

1. 4.00mm [5/32] MIN. to 16.00mm [5/8] MAX. with spacers panel thickness.
2. 15.00mm [19/32] MIN. to 30.00mm [1 1/8] MAX. without spacers panel thickness.
3. 19.00mm [3/4] MIN. to 30.00mm [1 1/8] MAX. table thickness
4. 18" MAX. panel height.
5. Recommended spacing is 24" apart.
6. Weight capacity is 35 lbs.



FRONT VIEW



SIDE VIEW



P.O. BOX 3333
 MANHATTAN BEACH, CA 90266 USA
 PHONE: 310.318.2491 FAX: 310.376.7650
 email: info@mockett.com www.mockett.com

PROPRIETARY AND CONFIDENTIAL.
 ALL DIMENSIONS HAVE A +/- 1/32" TOLERANCE UNLESS OTHERWISE SPECIFIED. WE DO NOT RECOMMEND DRILLING OR CUTTING ANY HOLES BEFORE RECEIVING A PRODUCT OR A PRODUCT SAMPLE.
 ALL MEASUREMENTS ARE IN INCHES.

PART NAME: PGRP6B		DRAWN BY: AN	LAST EDITED: FM	REQUESTED BY: RN	SHEET: 1 OF 1
SCALE: N.T.S.	TOLERANCE: ± 1 / 16 "	DATE: 2015.09.18	DATE: 2020.05.18	APPROVED BY: -	