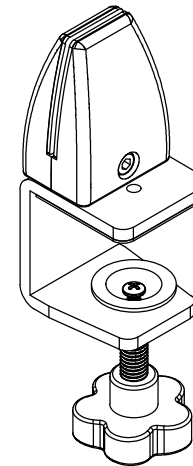
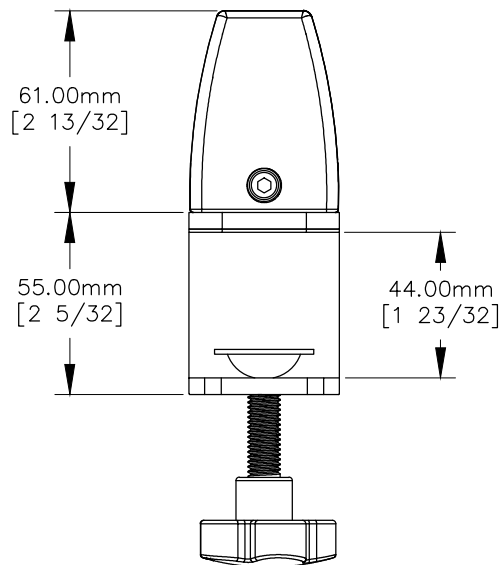


TOP VIEW

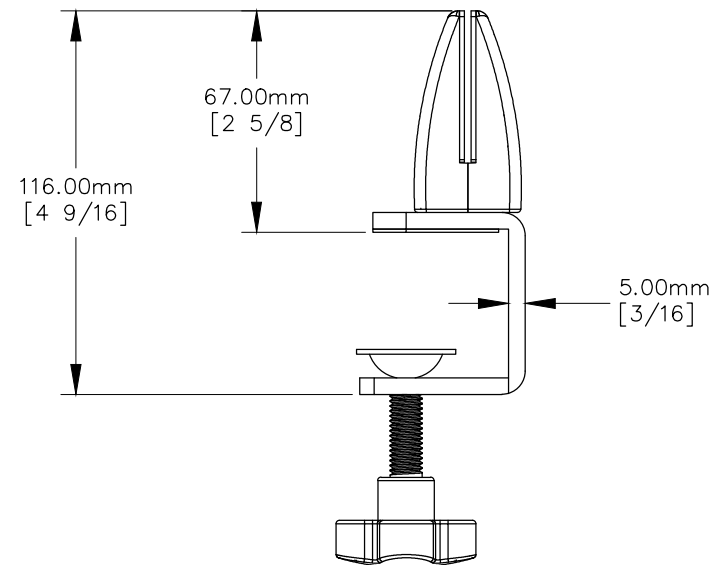


NOTE:

1. Maximum panel length is 60 in.
2. Maximum panel height is 20 in.
3. Table thickness is 13.00mm [1/2] MIN. to 38.00mm [1 1/2] MAX.
4. Panel thickness is 5.00mm [3/16] MIN. to 6.00mm [1/4] MAX. with 20.00mm [25/32] hex screw.
5. Panel thickness is 14.00mm [9/16] MIN. to 22.00mm [7/8] MAX. with 34.00mm [1 11/32] hex screw.
6. Maximum spacing between panel grips is 48 in.



FRONT VIEW



SIDE VIEW