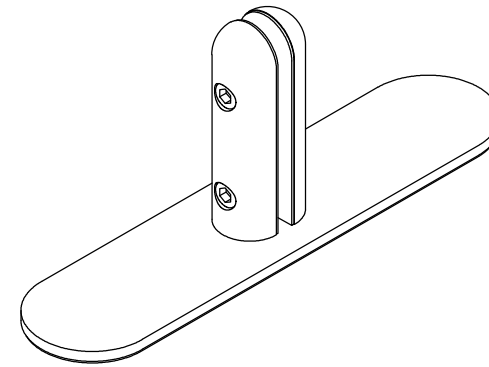
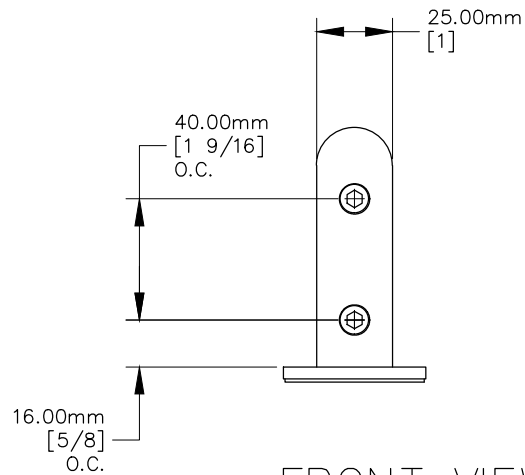


TOP VIEW

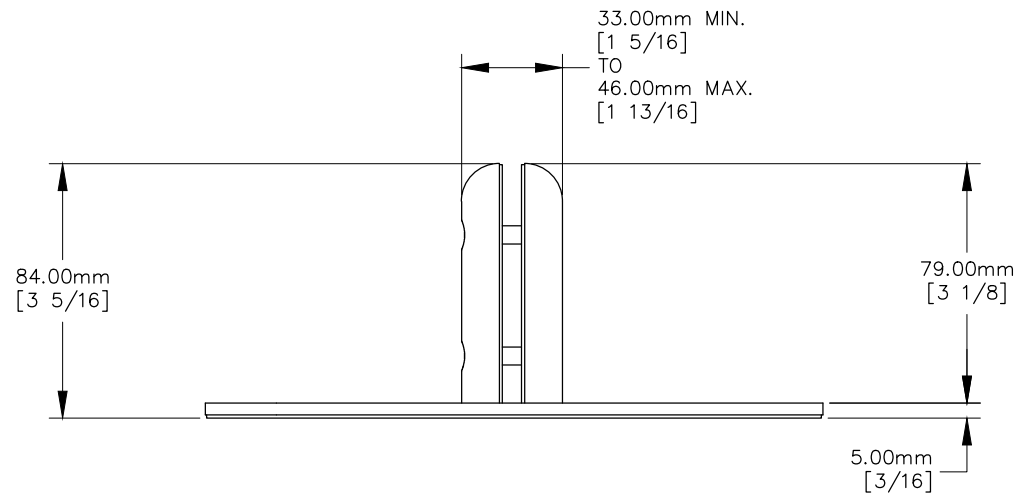


NOTE:

1. Panel thickness is 3.00mm [1/8] MIN. to 9.00mm [3/8] MAX. with 18.00mm socket screw.
2. Panel thickness is 7.00mm [9/32] MIN. to 12.00mm [15/32] MAX. with 24.00mm socket screw.
3. Maximum panel height is 48.
4. Maximum panel width is 60.
5. Maximum spacing between panel grips is 48.



FRONT VIEW



SIDE VIEW