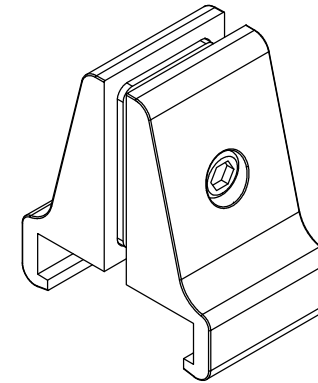
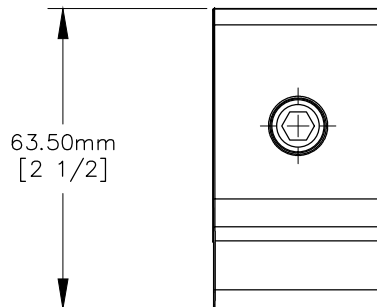


TOP VIEW

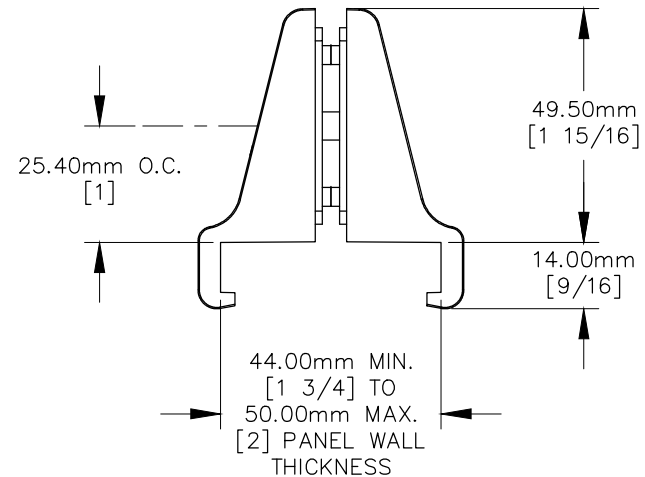


NOTE:

1. Supports A02 panel system.
2. Panel thickness is 6.00mm [1/4].
3. Panel height is 18 in. MAX.
4. Part spacing is 36 in. MAX.



FRONT VIEW



RIGHT VIEW