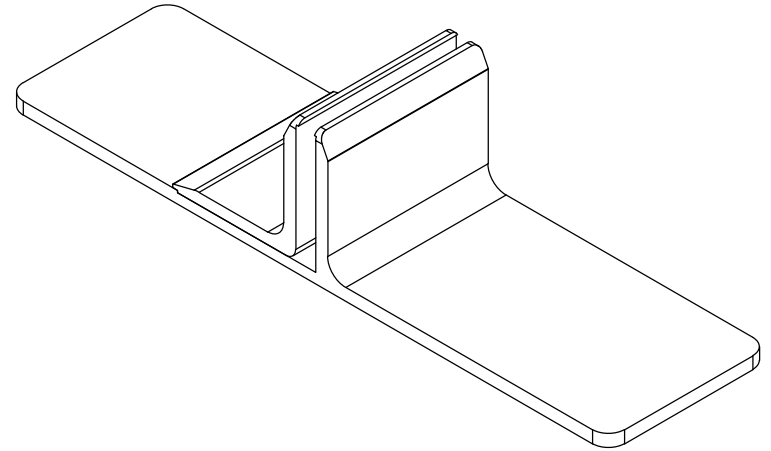
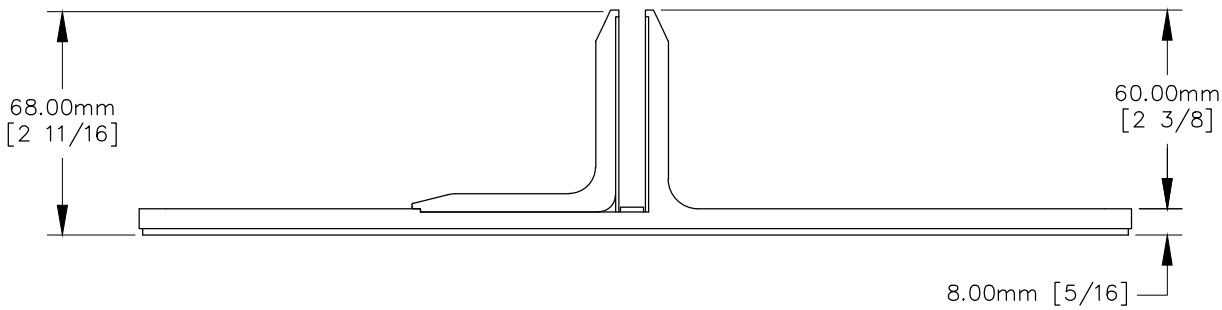


TOP VIEW

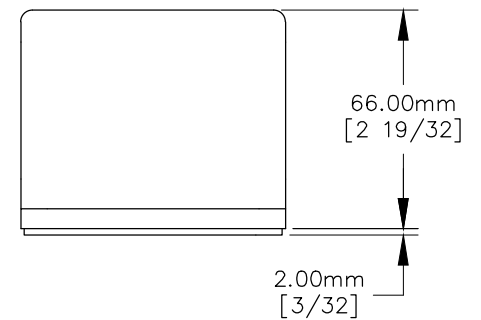


NOTE:

1. Panel thickness is 6.00mm [1/4] MIN. to 8.00mm [5/16] MAX.
2. Maximum panel width is 1500.00mm [59 1/16].
3. Maximum panel height is 1000.00mm [39 3/8].



FRONT VIEW



SIDE VIEW