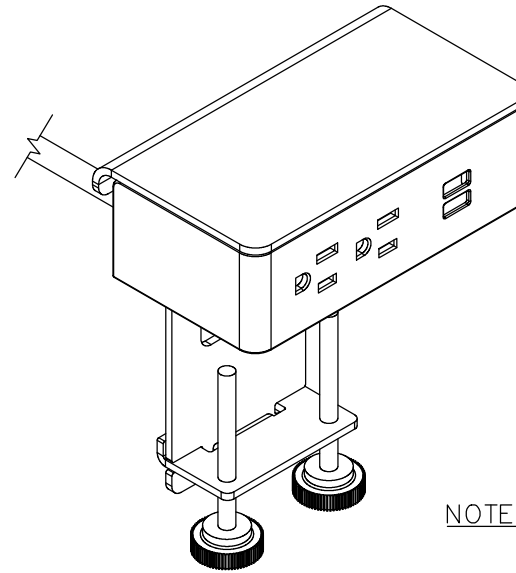
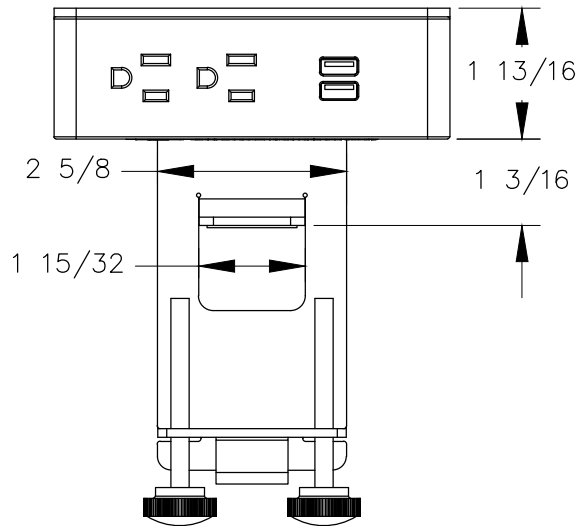


TOP VIEW

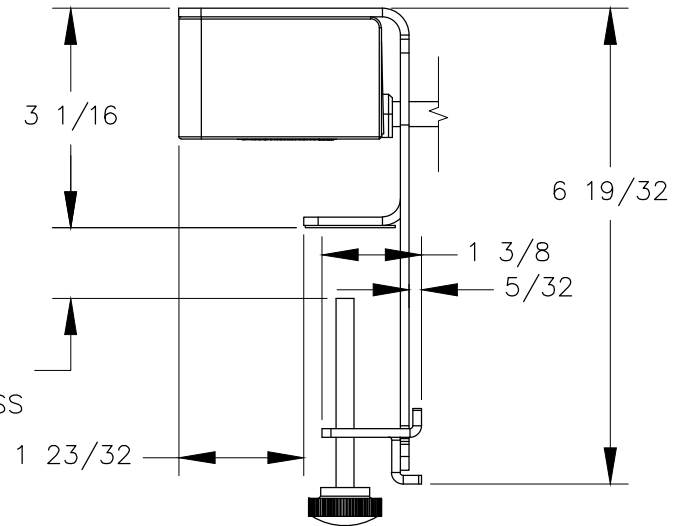


NOTES:

1. USB ports are for charging use ONLY.



FRONT VIEW



RIGHT VIEW

3/4" MIN. TO
2-1/2" MAX.
TABLE THICKNESS