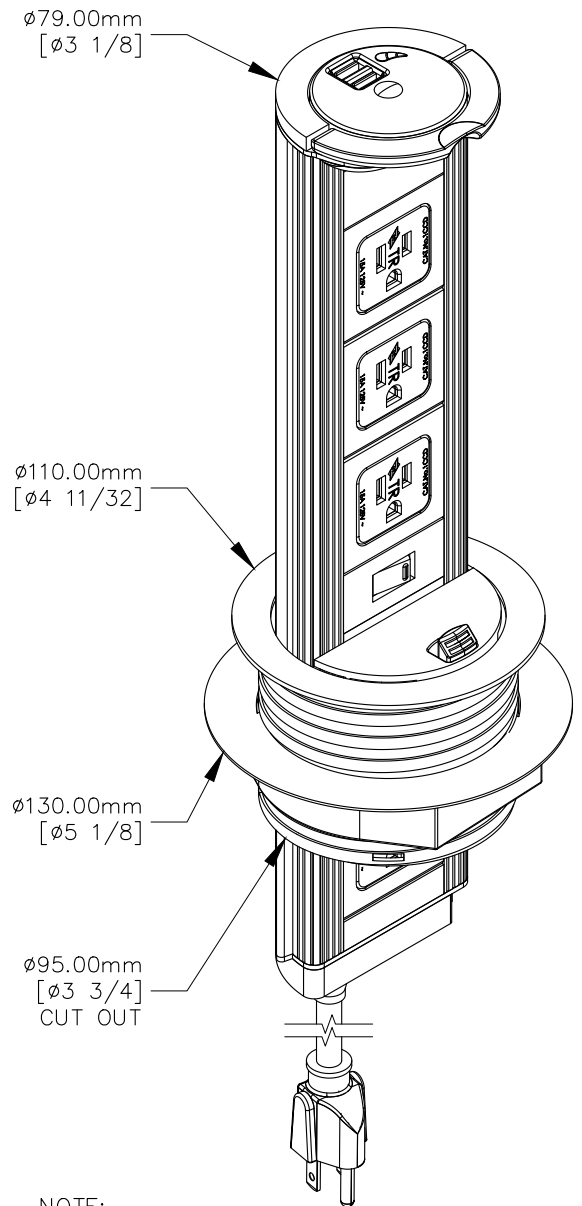


FRONT VIEW
(OPEN)

FRONT VIEW
(CLOSED)



NOTE:

1. 9 ft. cord length.
2. USB ports are for charging use only.
3. Table thickness is 1/2 MIN. to 2 MAX.
4. Minimum clearance required under the work surface is 16.