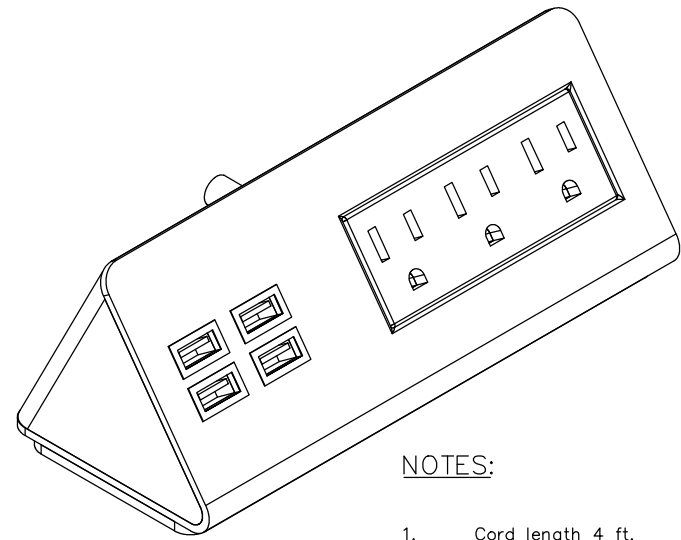
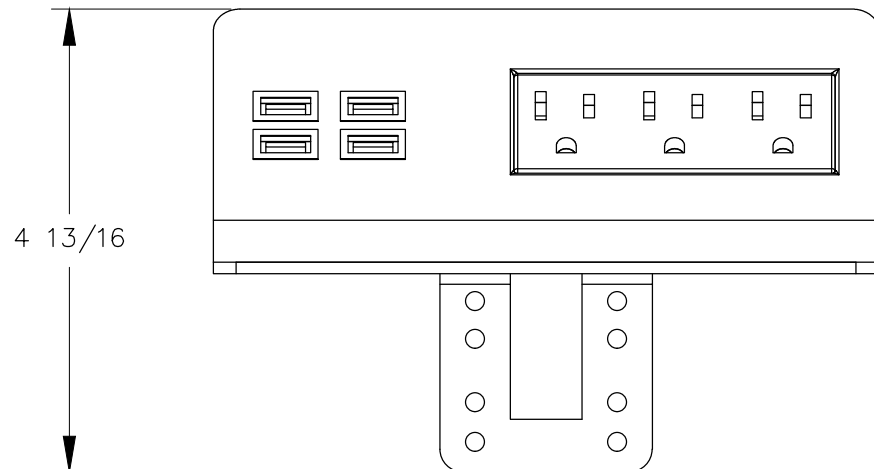


TOP VIEW

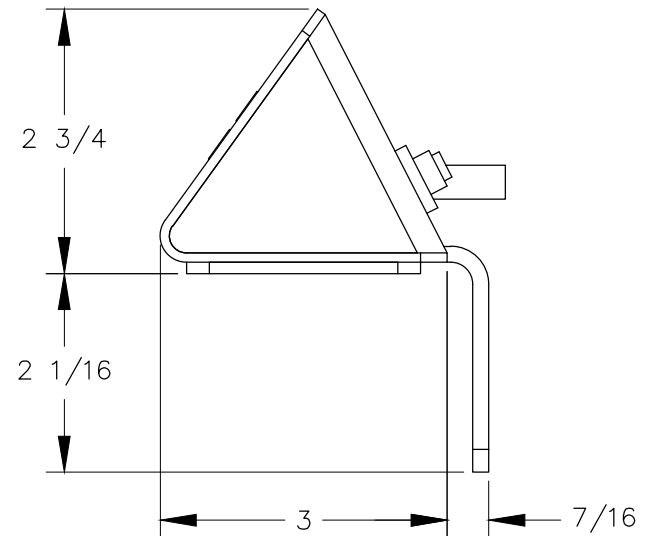


NOTES:

1. Cord length 4 ft.
2. USB ports are for charging use ONLY.
3. Circuit breaker is located behind the unit.
4. Minimum table thickness 3/4".



FRONT VIEW



RIGHT VIEW