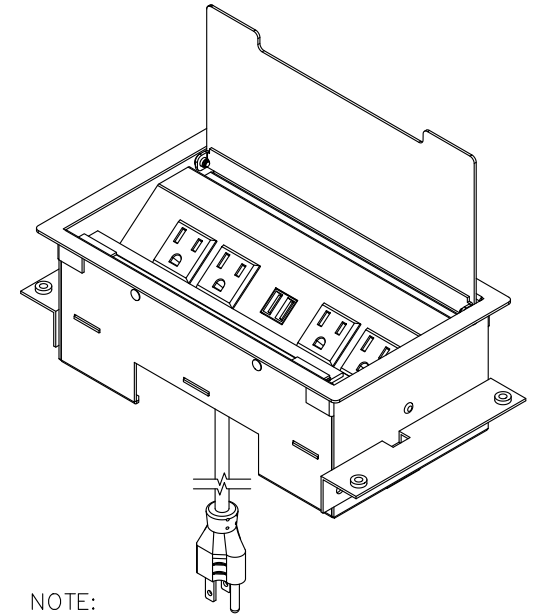
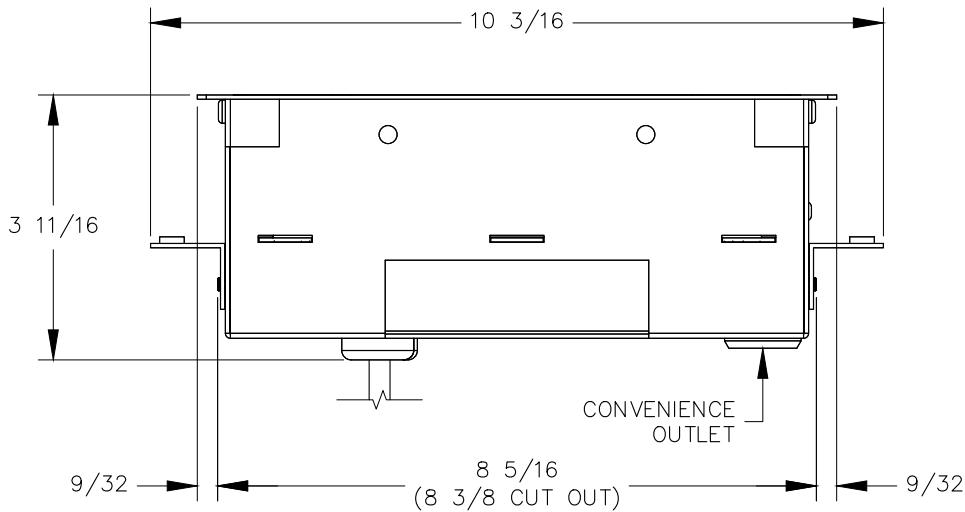


TOP VIEW

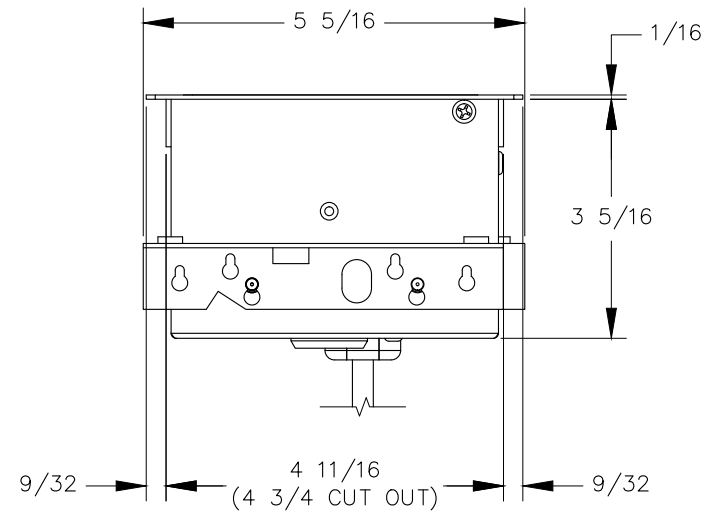


NOTE:

1. 6 ft. cord length.
2. USB ports are for charging use only.
3. Circuit breaker is located under the unit inside the open compartment.
4. Table thickness is 3/4 MIN. to 2 MAX.



FRONT VIEW



RIGHT VIEW