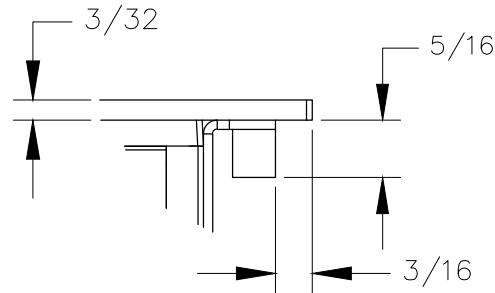
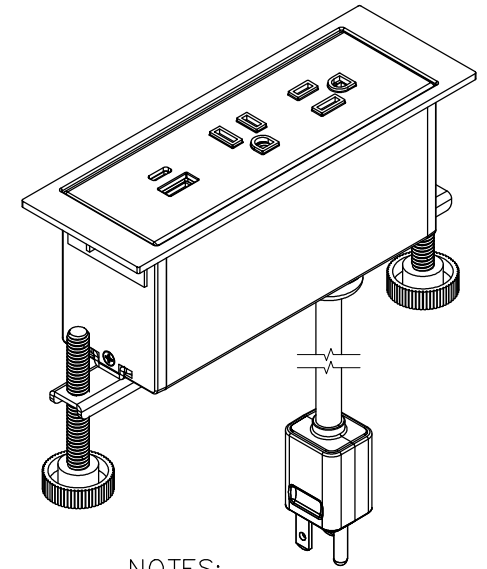


TOP VIEW

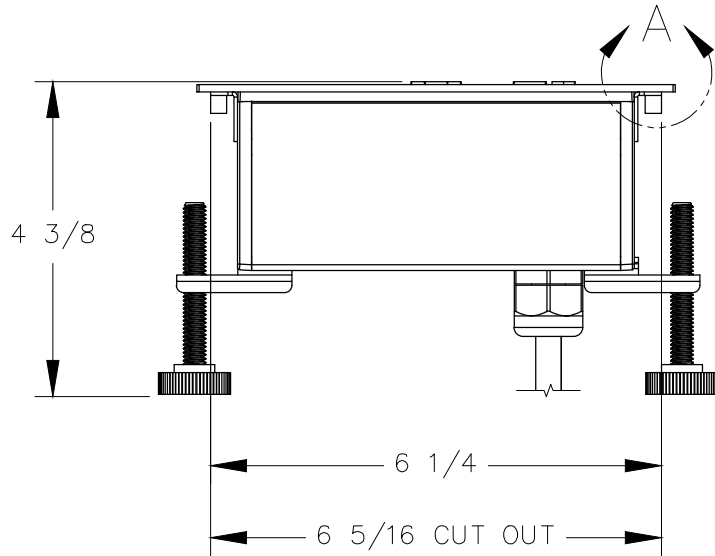


DETAIL A

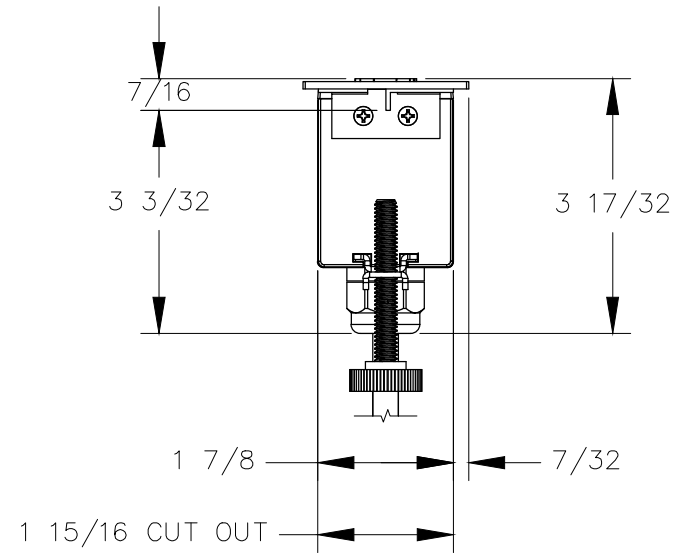


NOTES:

1. Cord length 6 ft.
2. Recommended table thickness 3/4" MIN. to 1-1/2" MAX.
3. USB-A & USB-C ports are for charging use ONLY.



FRONT VIEW



RIGHT VIEW