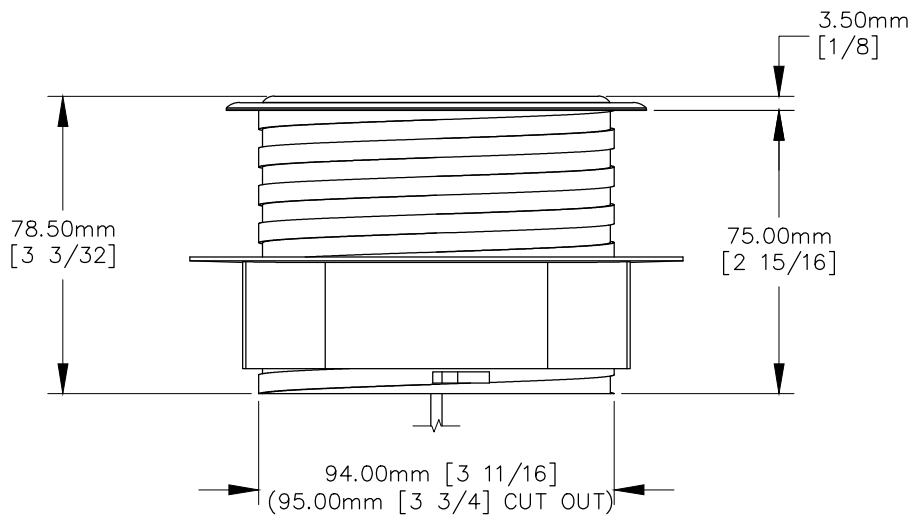
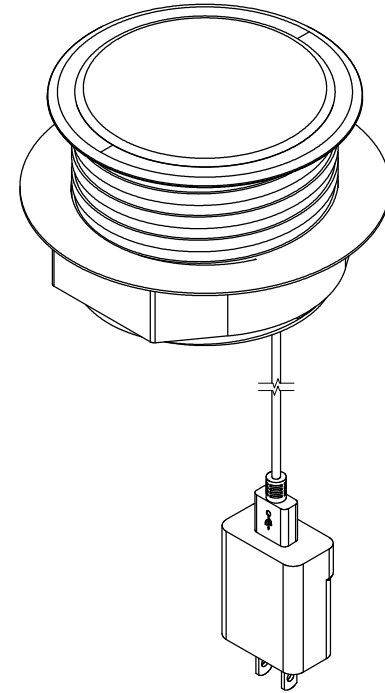


TOP VIEW



FRONT VIEW

NOTE:

1. Mobile device must have a wireless charging receiver.
2. Table thickness is 9.50mm [3/8] MIN. to 50.50mm [2] MAX.
3. Wireless output is 5W Max.
4. USB cord length is 3 ft.
5. Power adapter dimension is 1 27/32 X 1 1/2 X 29/32.