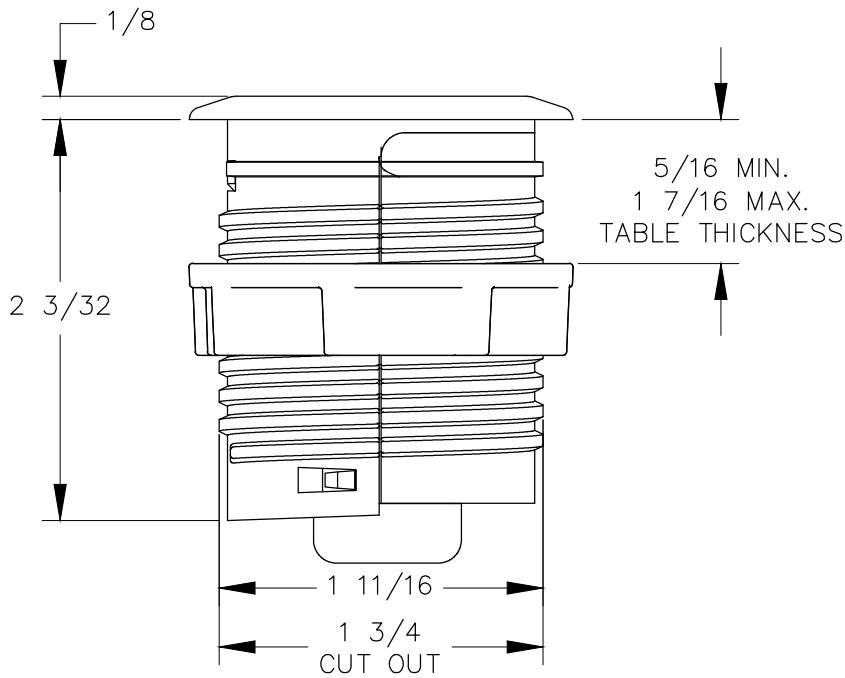
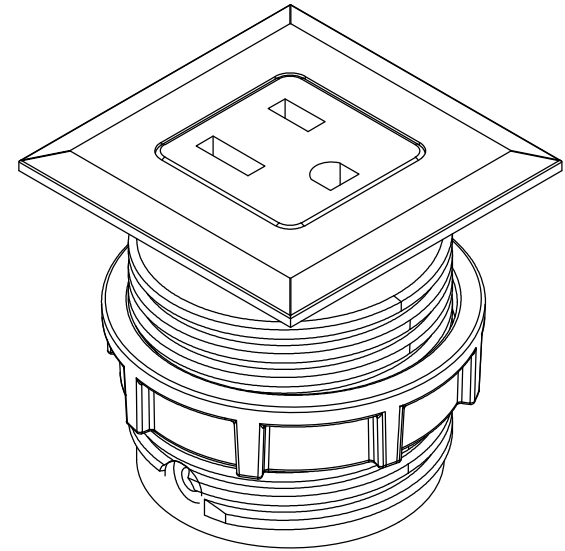


TOP VIEW



FRONT VIEW

PART NAME: PCS75/SQ (METAL)		DRAWN BY: AN		LAST EDITED: -		REQUESTED BY: -		SHEET: 1 OF 1	
SCALE: N.T.S.	TOLERANCE: ± 1 / 32 "	DATE: 2016.04.25	DATE: 0000.00.00	DATE: 12:00am	APPROVED BY: -				