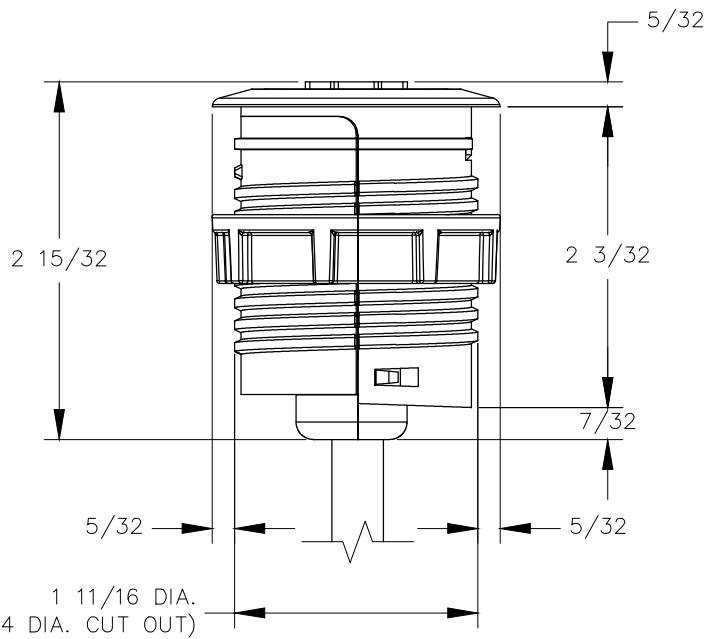
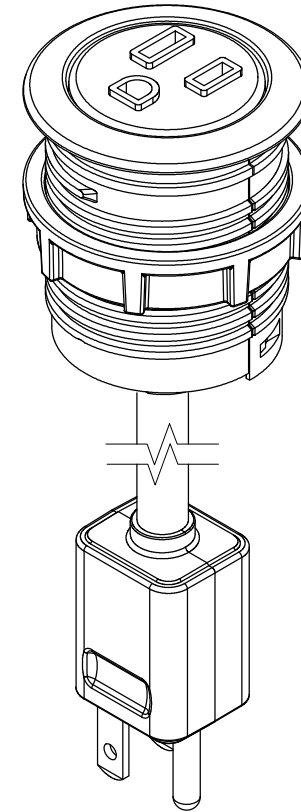


TOP VIEW



FRONT VIEW

NOTE:

1. 6 ft. cord length.
2. Table thickness is 5/16 MIN. to 1 7/16 MAX.
3. Plug dimension is 1 11/32 X 1 1/32 X 7/8.

PART NAME: PCS75-METAL		DRAWN BY: AN	LAST EDITED: AN	REQUESTED BY: FM	SHEET: 1 OF 1
SCALE: N.T.S.	TOLERANCE: ± 1 / 16 "	DATE: 2016.04.26	DATE: 2021.09.15	APPROVED BY: -	