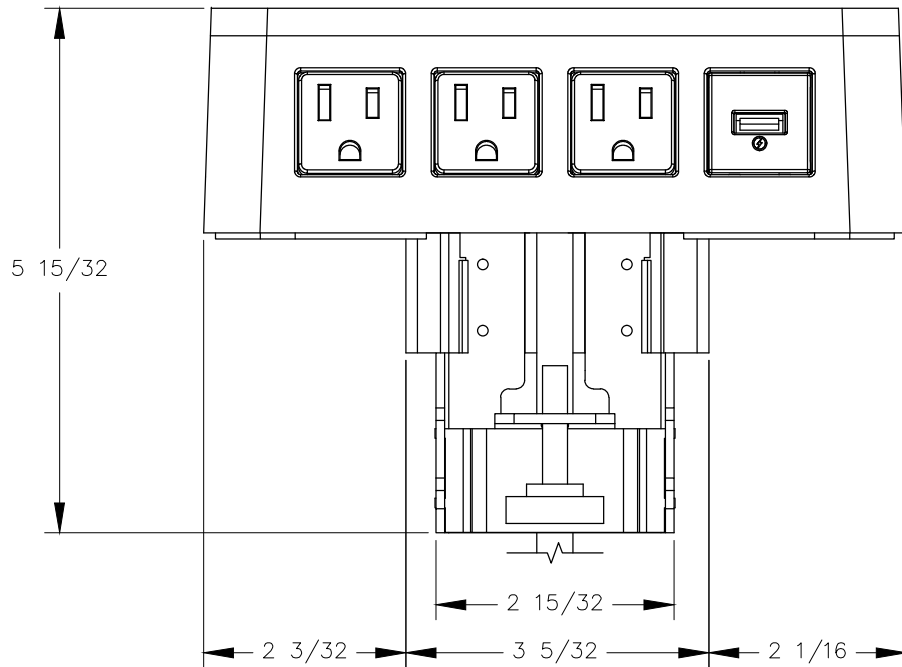
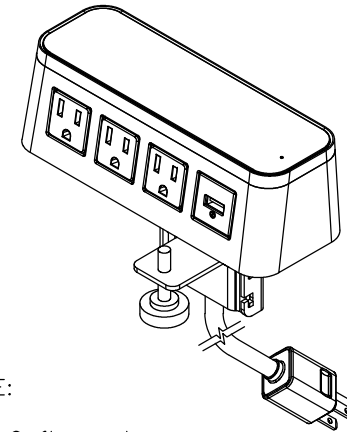


TOP VIEW

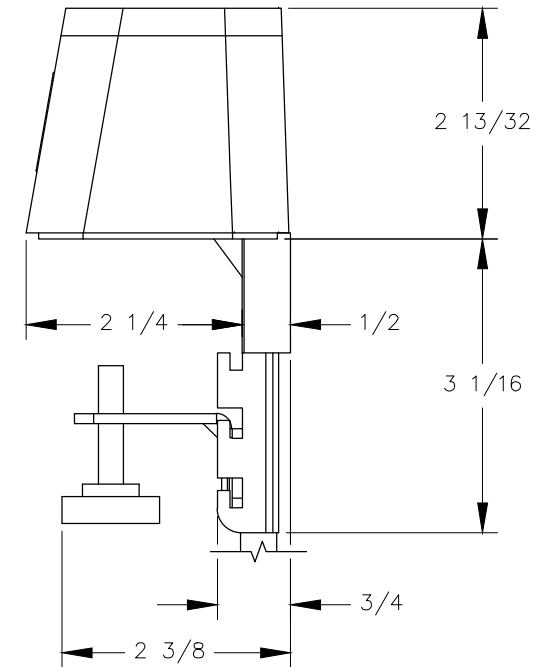


FRONT VIEW



NOTE:

1. 6 ft. cord.
2. Table thickness is 1/2 MIN. to 1 3/4 MAX. with top bracket orientation.
3. Table thickness is 1 1/4 MIN. to 2 3/4 MAX. with bottom bracket orientation.
4. Mobile device must have a wireless charging receiver.
5. USB port is for charging use ONLY.
6. Wireless output 5W Max.



RIGHT VIEW