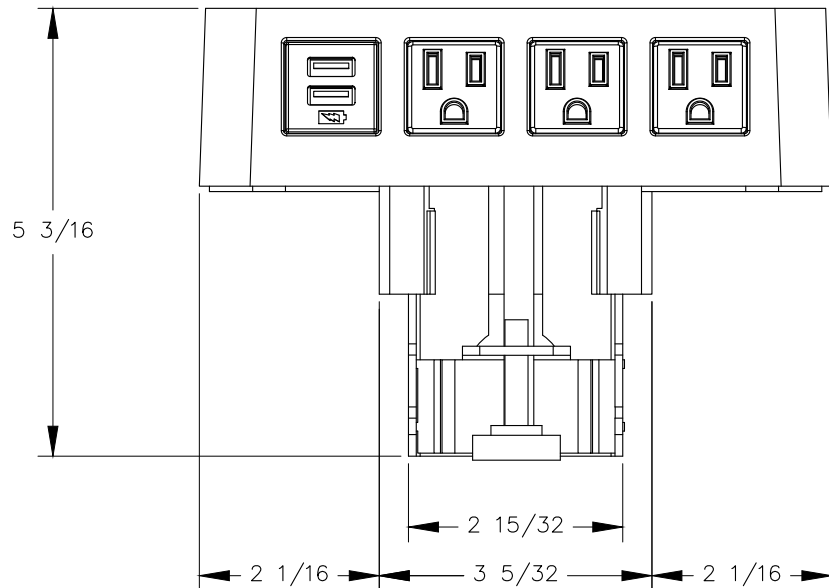
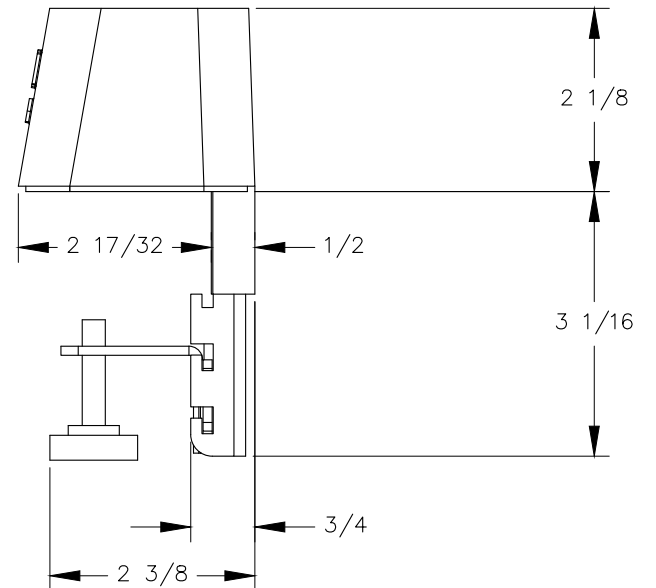


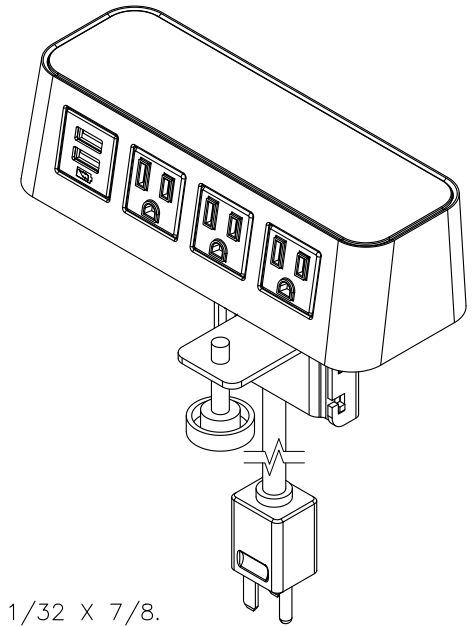
TOP VIEW



FRONT VIEW



RIGHT VIEW



NOTE:

1. 6 ft. cord length.
2. Plug dimension is $1 \frac{11}{32} \times 1 \frac{1}{32} \times \frac{7}{8}$.
3. USB-A ports are for charging use only.
4. Table thickness is $\frac{1}{2}$ MIN. to $1 \frac{3}{4}$ MAX. for top bracket orientation.
5. Table thickness is $1 \frac{1}{4}$ MIN. to $2 \frac{3}{4}$ MAX. for bottom bracket orientation.