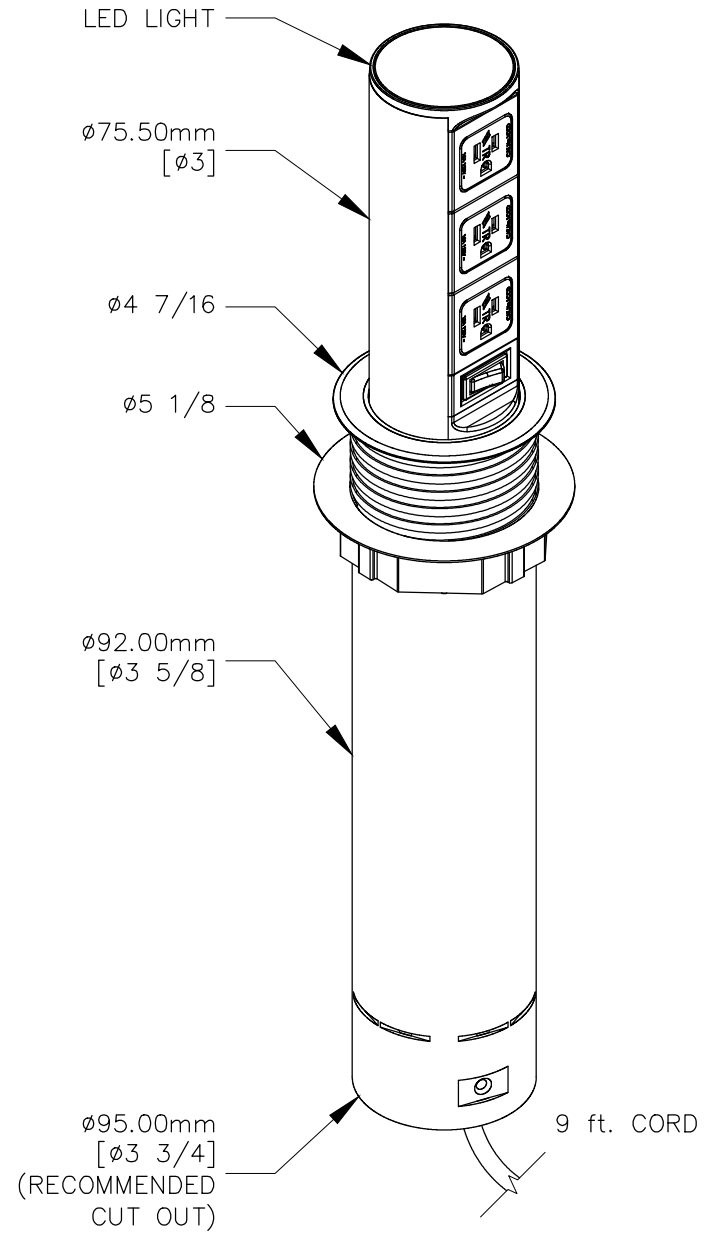


FRONT VIEW



NOTES:

1. Minimum clearance required 18" under the worksurface.
2. 1/2" MIN. to 2" MAX. table thickness.