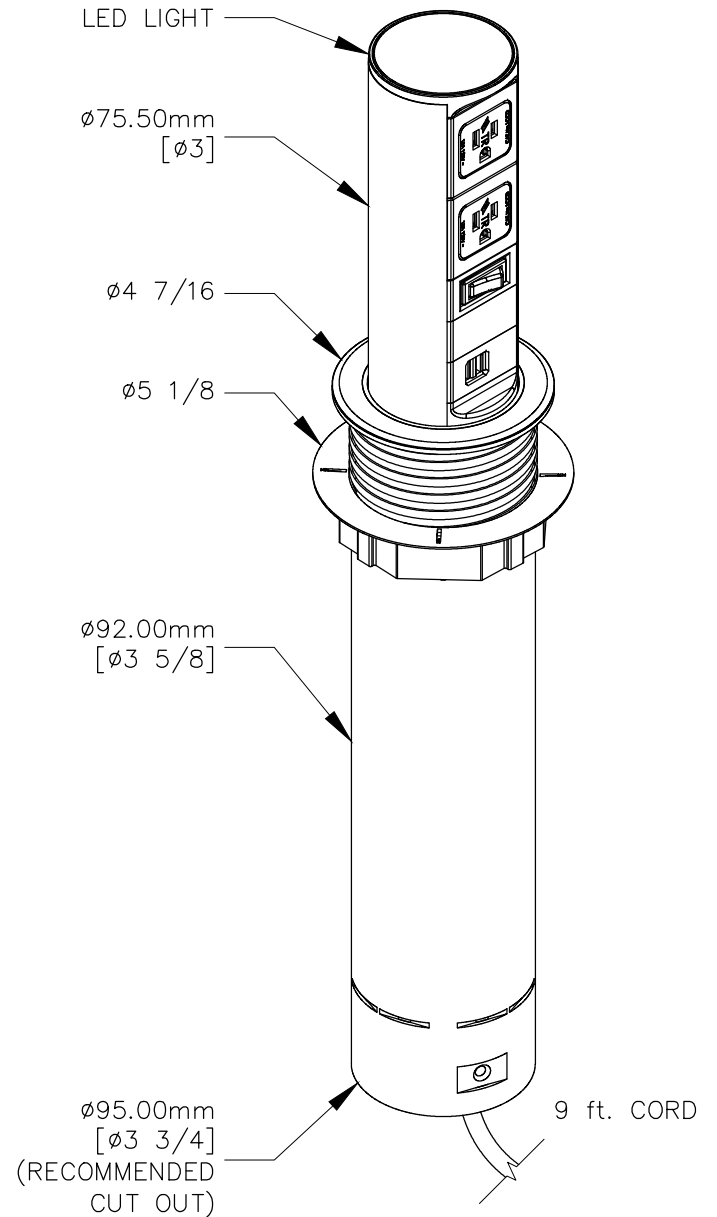


FRONT VIEW



NOTES:

1. USB ports are for charging use ONLY.
2. Minimum clearance required 18" under the worksurface.
3. 1/2" MIN. to 2" MAX. table thickness.